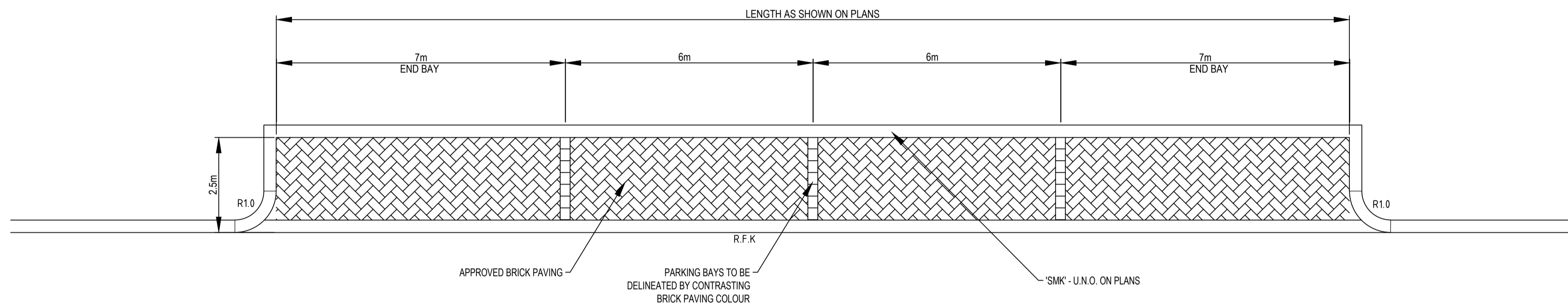
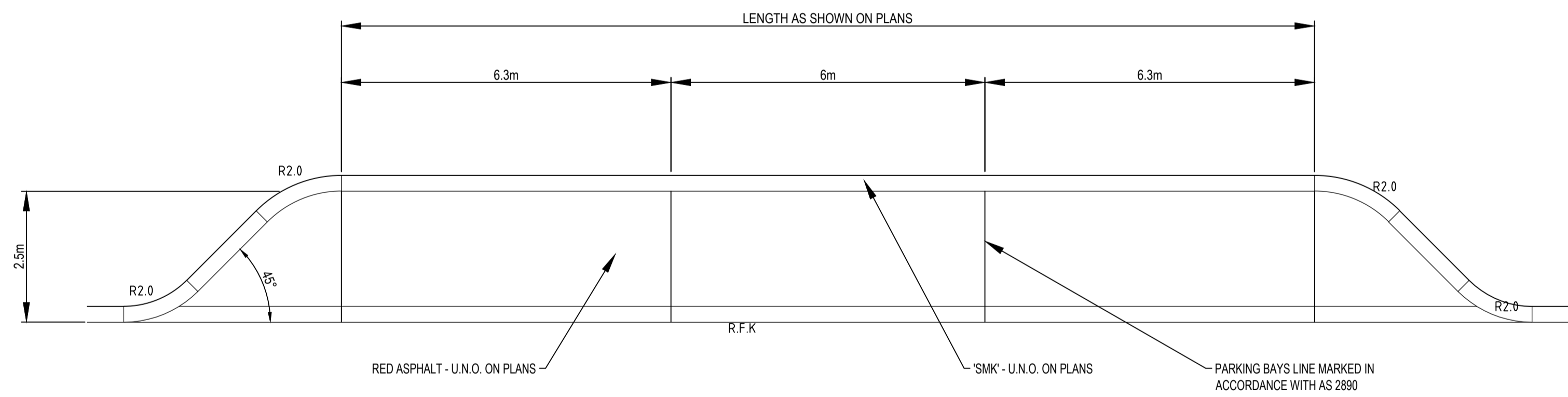


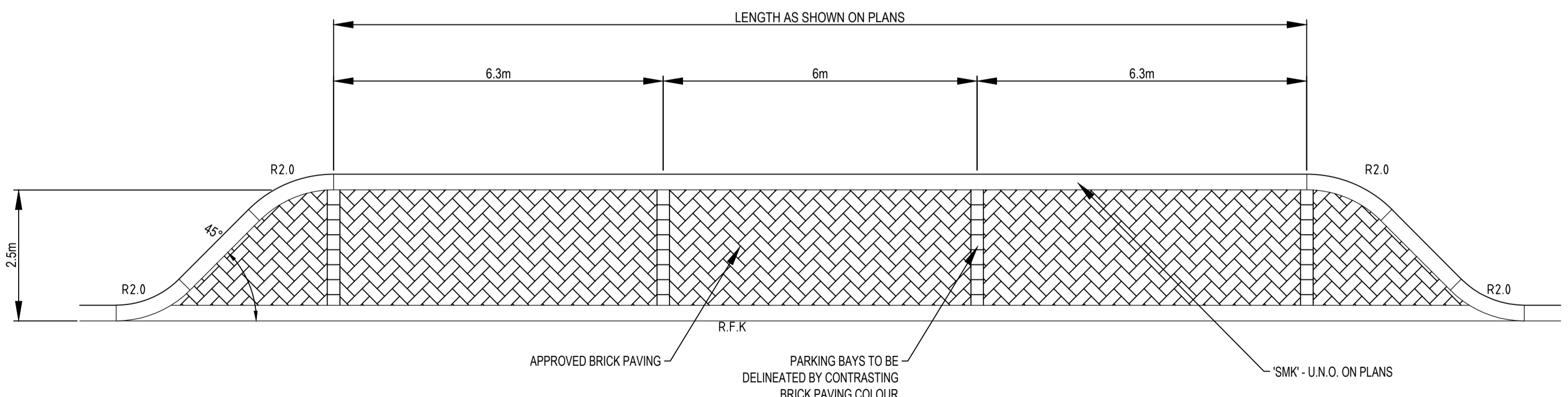
TYPICAL RIGHT ANGLED ASPHALT CARBAY LAYOUT
SCALE 1:75



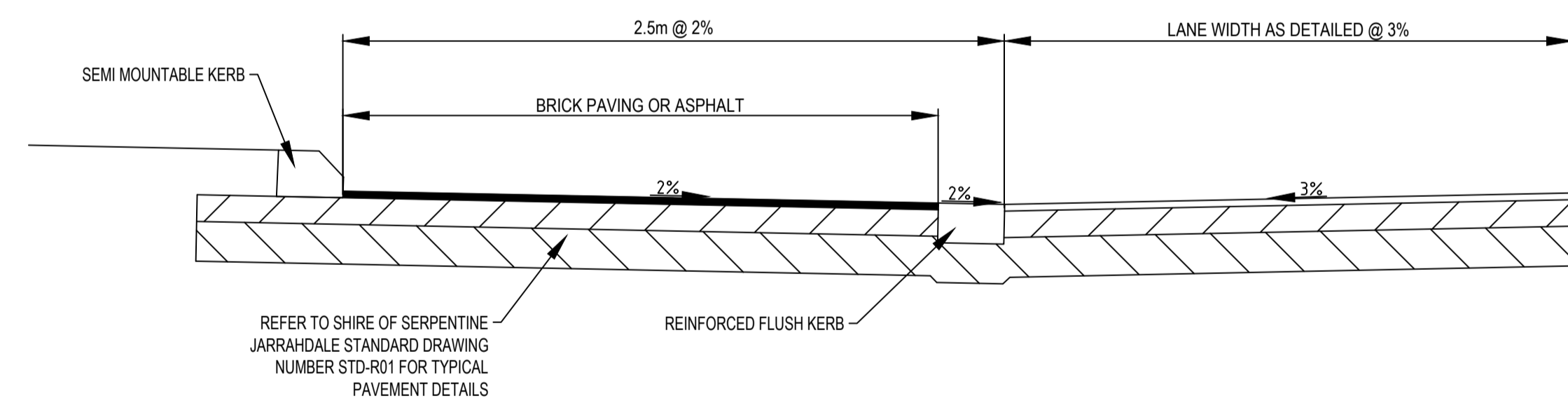
TYPICAL RIGHT ANGLED BRICK PAVED CARBAY LAYOUT
SCALE 1:75



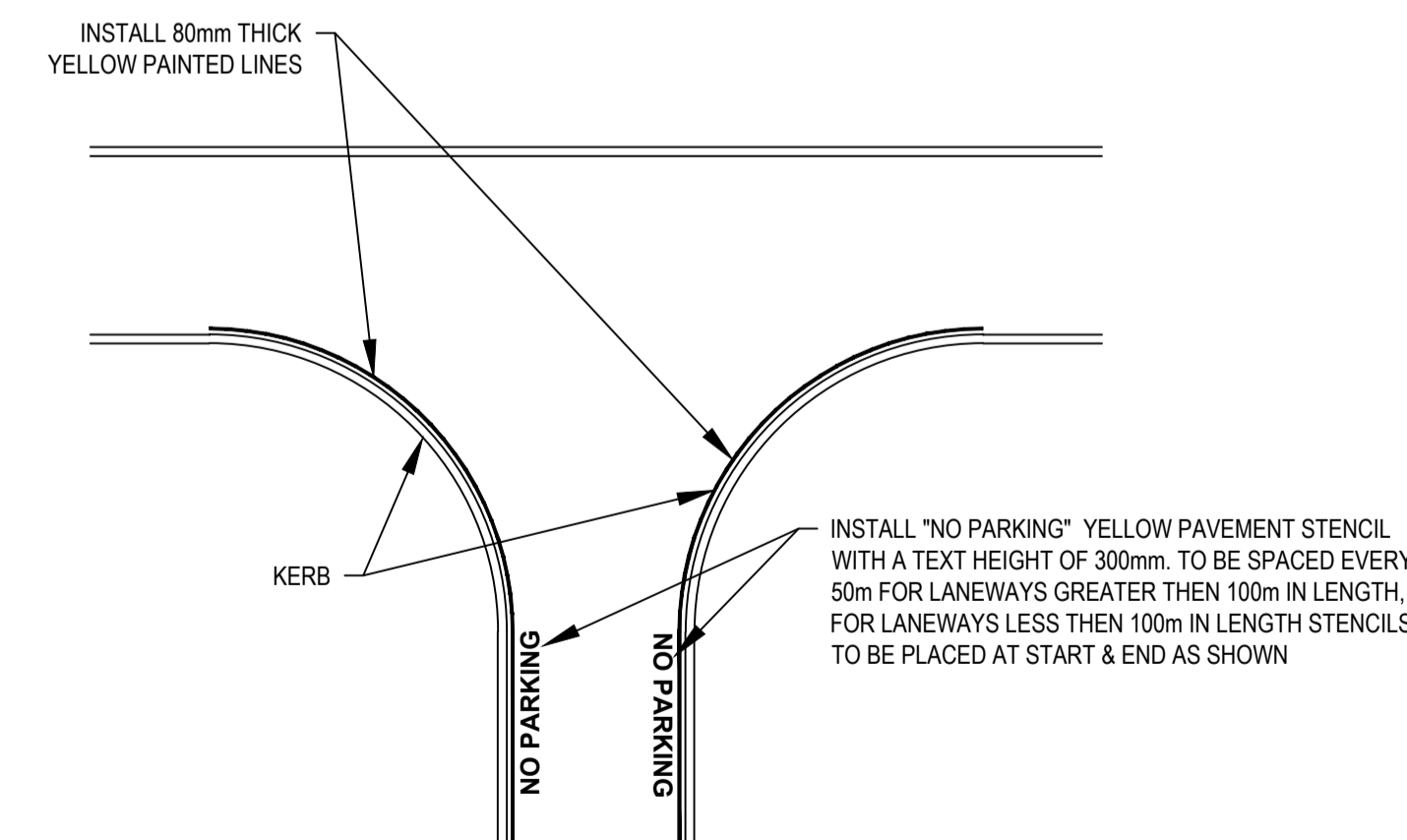
TYPICAL 45° ENTRY ANGLE ASPHALT CARBAY LAYOUT
SCALE 1:75



TYPICAL 45° ENTRY ANGLE BRICK PAVED CARBAY LAYOUT
SCALE 1:75



TYPICAL CARBAY SECTION
SCALE 1:20



TYPICAL "NO PARKING" LINEMARKING FOR LANEWAYS
SCALE 1:250

A:\Engineering\Standard Details\DWG\STD-R09 - TYPICAL CARBAYS.dwg

Amendments		Scale	
No	Date	By	Approved
B	03/01/25	BC	VB
A	30/11/23	BV	NS
ADD LENGTH DIMENSION ISSUED FOR REVIEW			

AS SHOWN
N/A

THIS DRAWING REMAINS THE PROPERTY OF THE SHIRE OF SERPENTINE JARRAHDALE AND SHALL NOT BE RETAINED, COPIED, OR USED, WITHOUT WRITTEN APPROVAL FROM THE DIRECTOR ENGINEERING SERVICES

SHIRE OF SERPENTINE JARRAHDALE
STANDARD DRAWINGS
ROAD - TYPICAL CARBAYS & LANEWAYS LINEMARKING

Sheet No:	1 OF 1
Revision No:	B
DWG No:	STD-R09