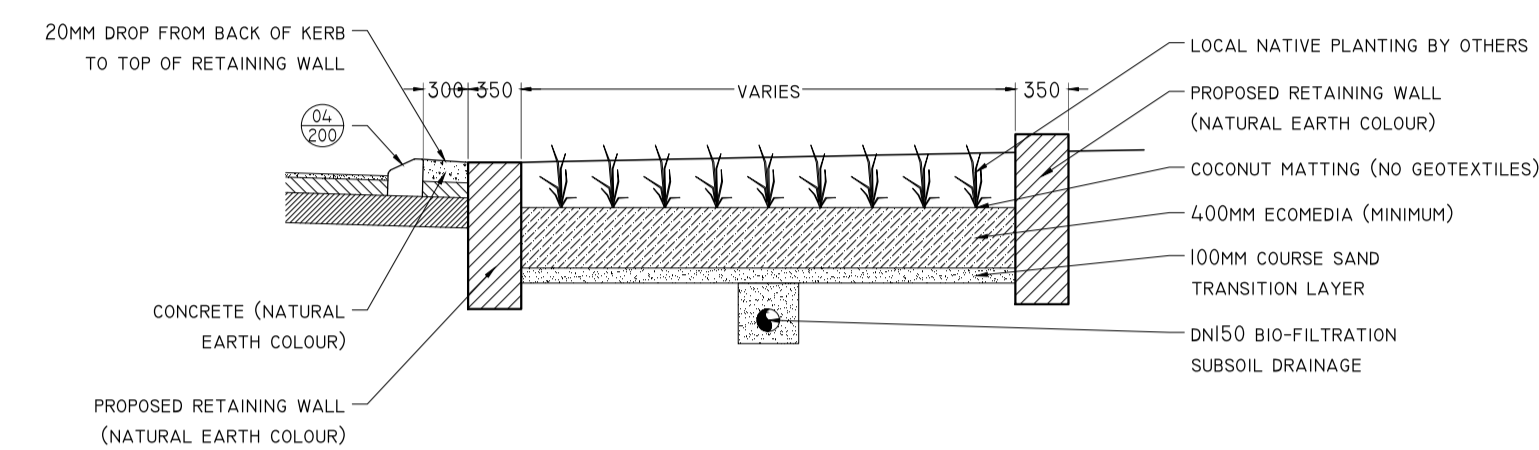


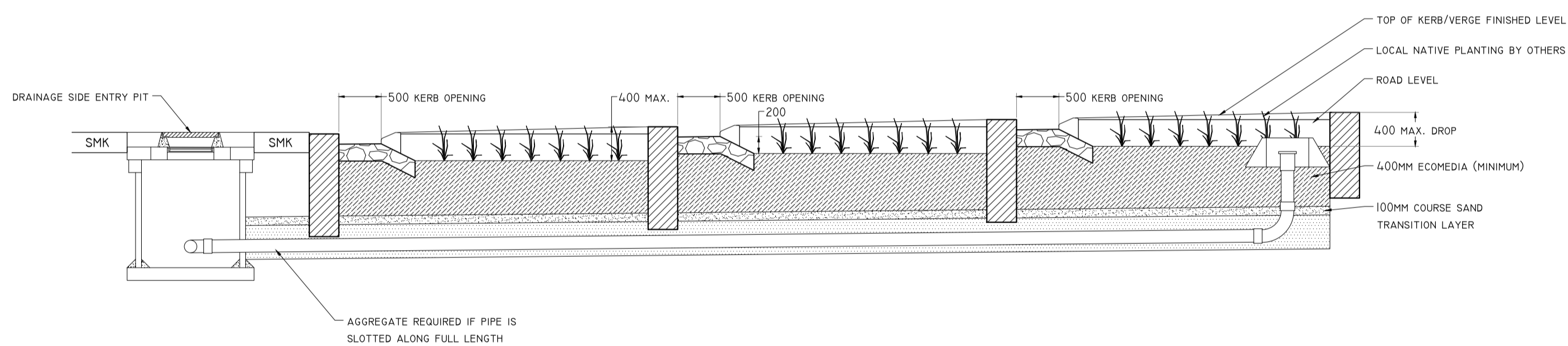
BIO-RETENTION POCKET
TYPE I PLAN

1:50



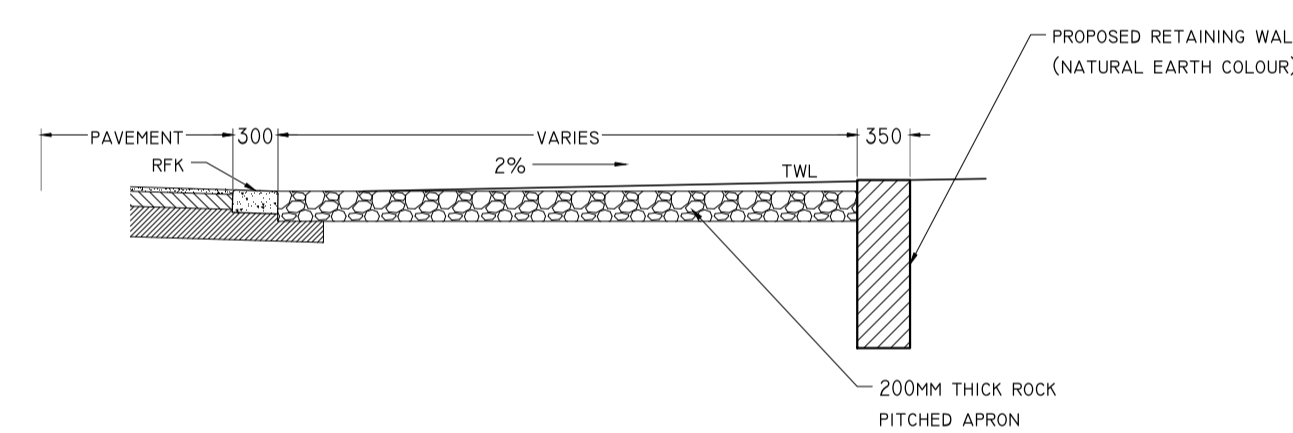
BIO-RETENTION POCKET
SECTION

1:50



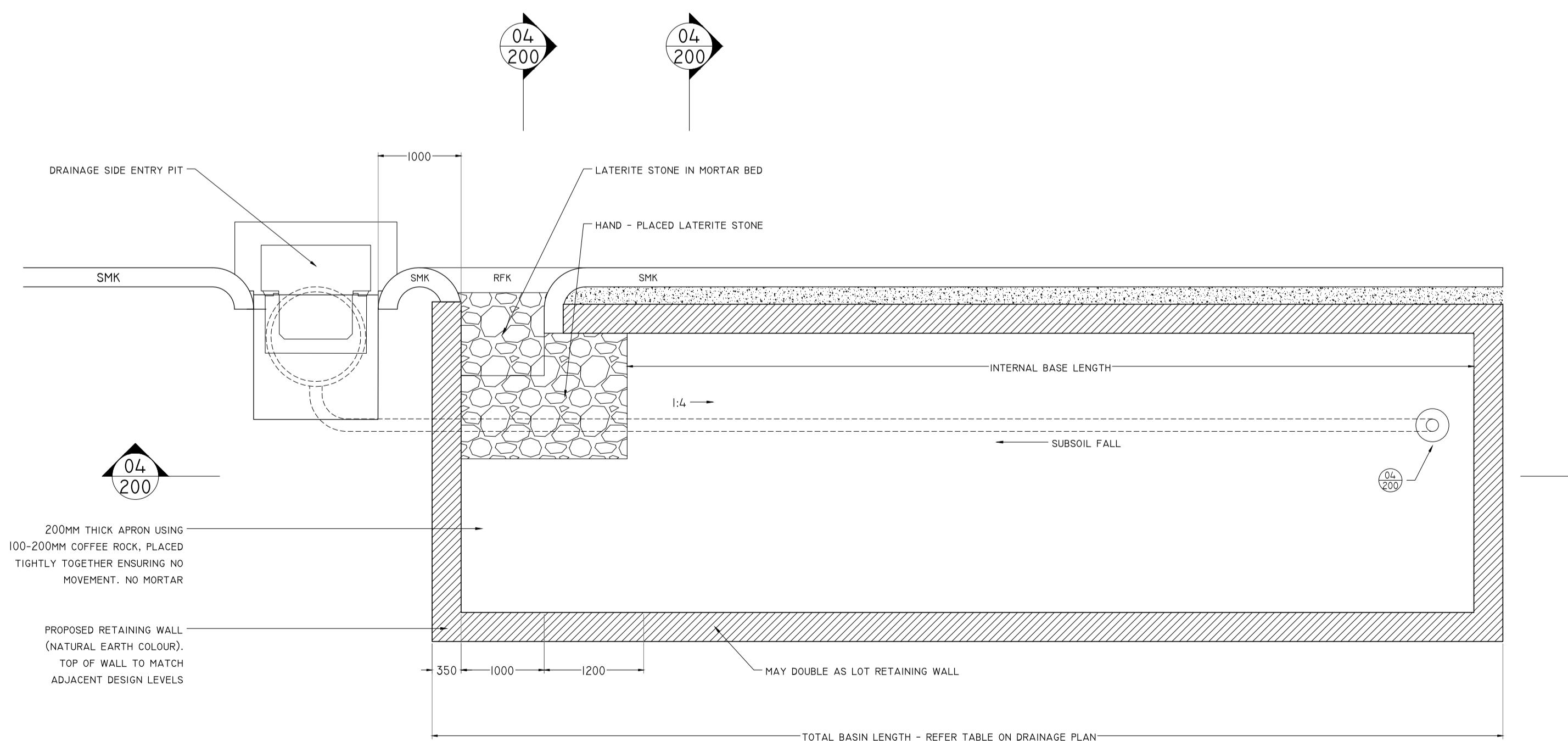
BIO-RETENTION POCKET
TYPE I SECTION

1:50



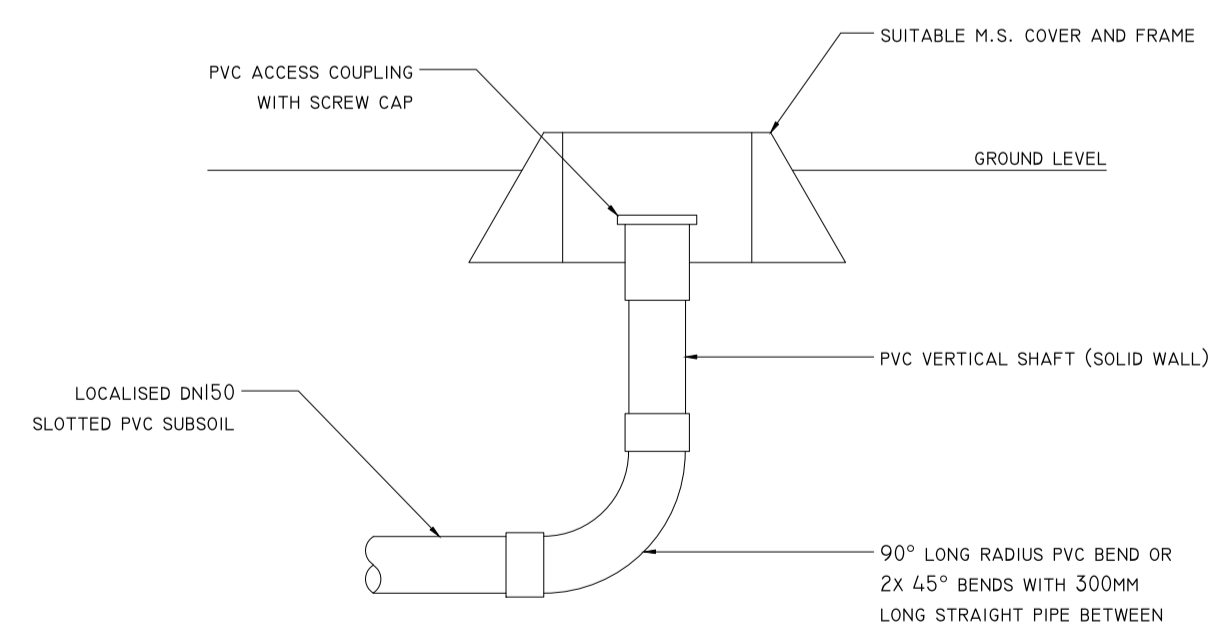
BIO-RETENTION POCKET
SECTION

1:50



BIO-RETENTION POCKET
TYPE II PLAN

1:50



SUBSOIL PIPE UP-SHAFT
ACCESS DETAIL

SCALE 1:20



STANDARD DETAILS

NO.	ISSUE & REVISION	DATE
1	INFORMATION	21.12.16

ISSUED FOR
INFORMATION

PROJECT CODE	001
SCALE	100% AT A1
DATE	21.12.16
DRAWN	PS
CHECKED	AR
APPROVED	AR
DRAWING TITLE	

BIO-RETENTION
POCKETS

DRAWING NUMBER

SD.03