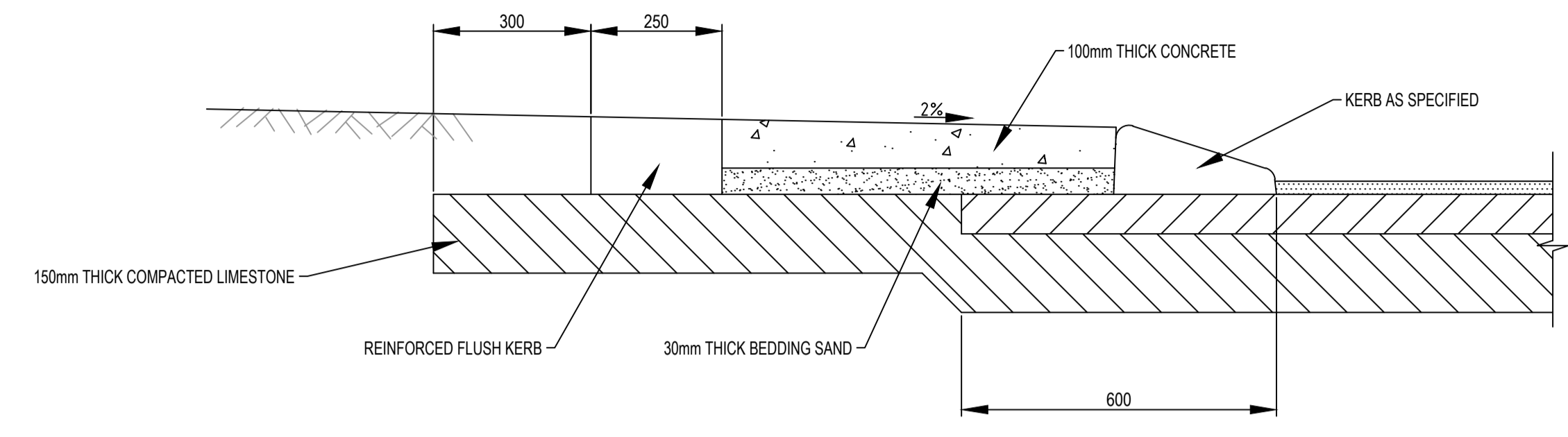
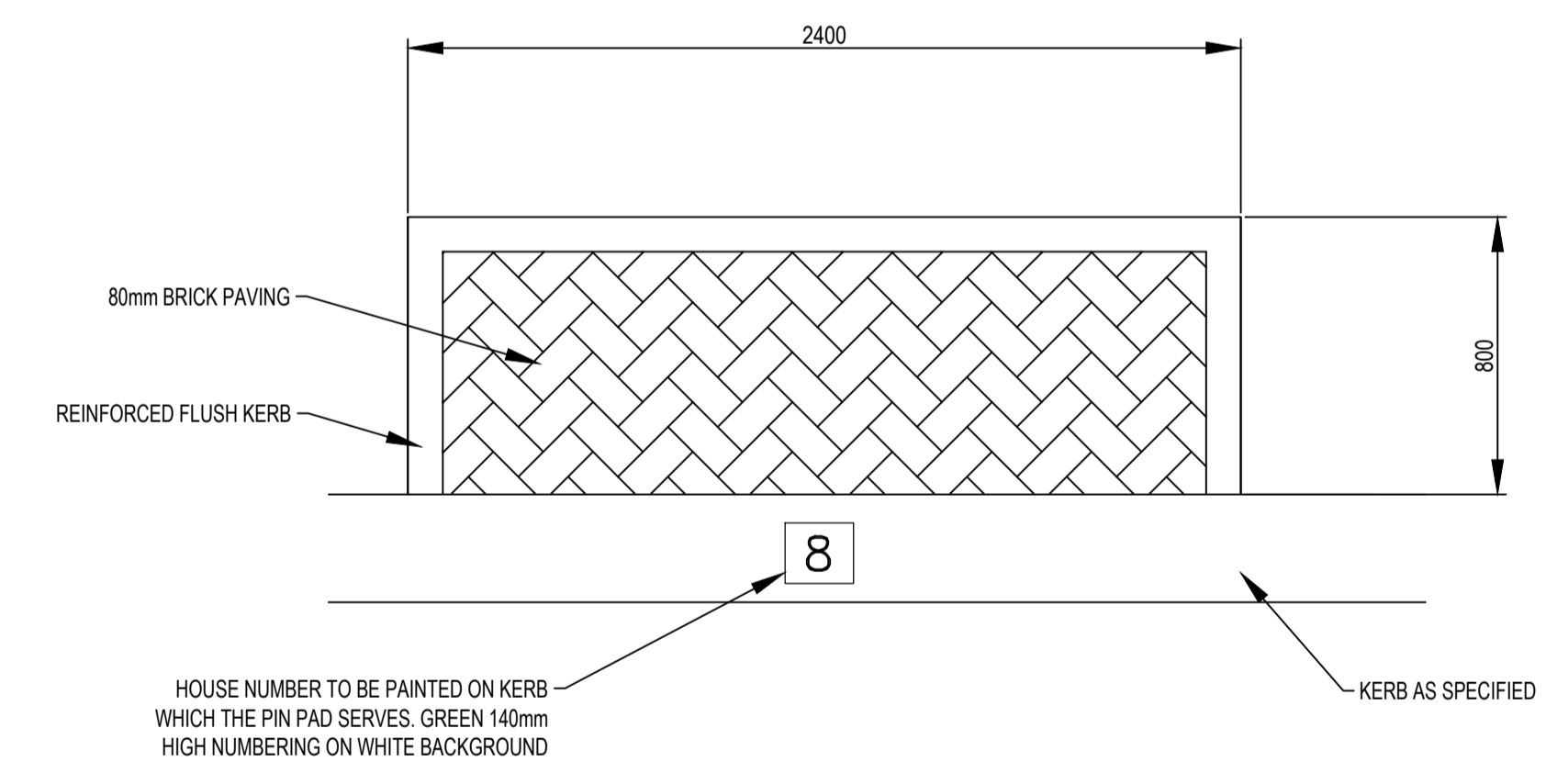


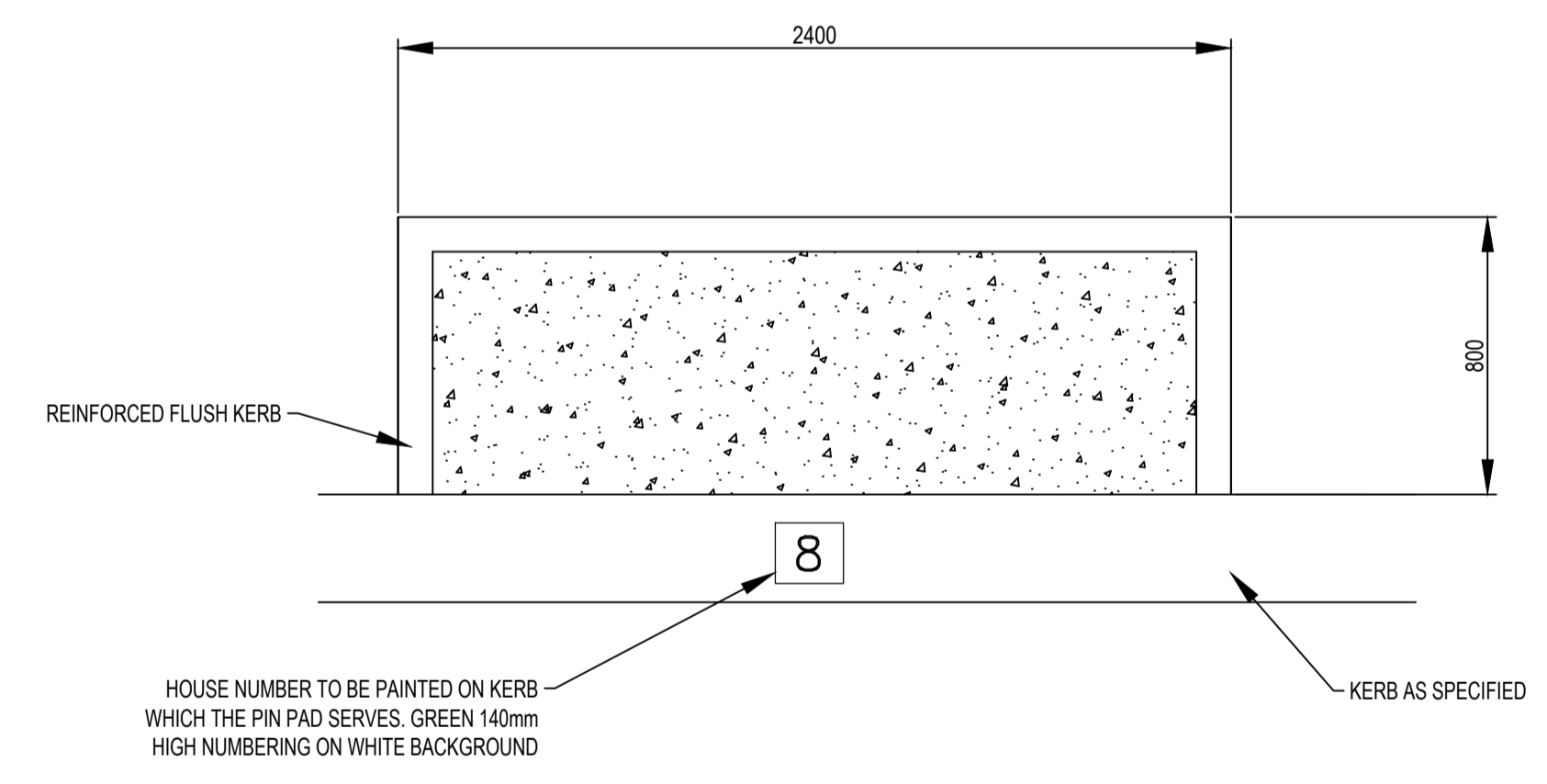
TYPICAL BRICK PAVED BIN PAD SECTION
SCALE 1:10



TYPICAL CONCRETE BIN PAD SECTION
SCALE 1:10



TYPICAL BRICK PAVED BIN PAD LAYOUT
SCALE 1:20



TYPICAL CONCRETE BIN PAD LAYOUT
SCALE 1:20

Engineering Standard Details DWG STD-R10 - TYPICAL BIN PADS.dwg

Amendments		Scale	Date	
		AS SHOWN		
		N/A		
No	Date	By	Approved	Revision
A	30/11/23	BV	NS	ISSUED FOR REVIEW



Infrastructure and Design

THIS DRAWING REMAINS THE PROPERTY OF THE SHIRE OF SERPENTINE JARRAHDALE AND SHALL NOT BE RETAINED, COPIED, OR USED, WITHOUT WRITTEN APPROVAL FROM THE DIRECTOR ENGINEERING SERVICES

Drawn: BC	Date: 30/11/23	Signet:
Designed: BV	Date: 30/11/23	Signet:
Checked: VB	Date: 30/11/23	Signet:
Manager Engineering Services:		Signet:

Project: SHIRE OF SERPENTINE JARRAHDALE STANDARD DRAWINGS		System No:
Title: ROAD - TYPICAL BIN PADS		Trim No:
		Sheet No: 1 OF 1
		Revision No: A
		DWG No: STD-R10