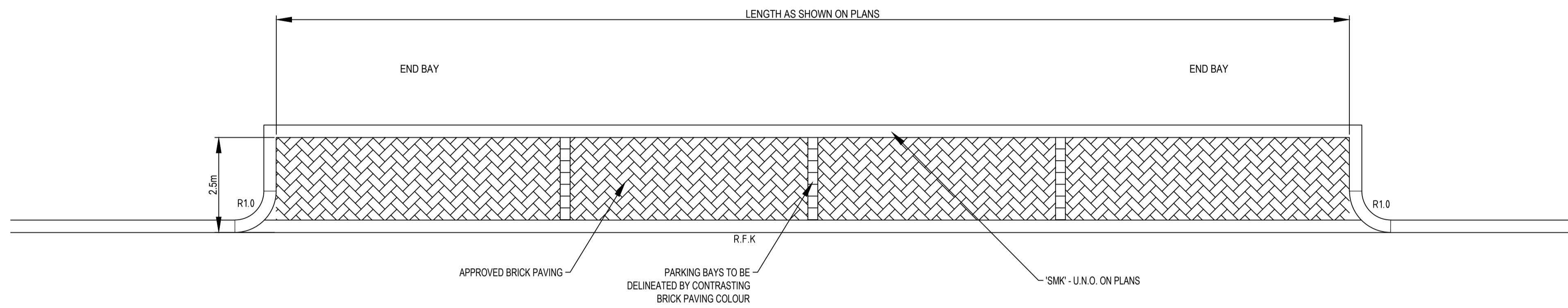
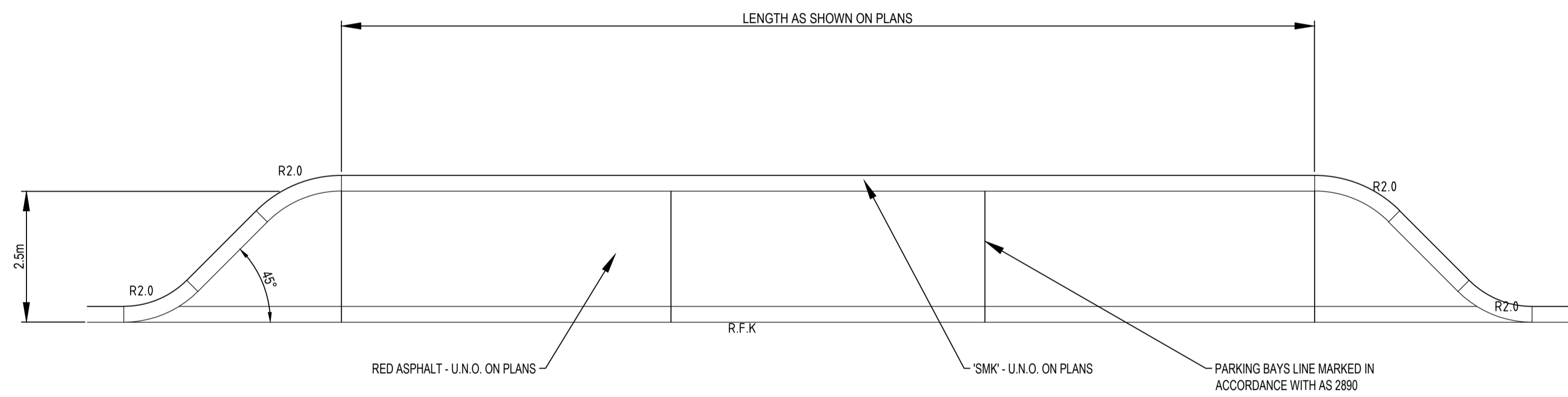


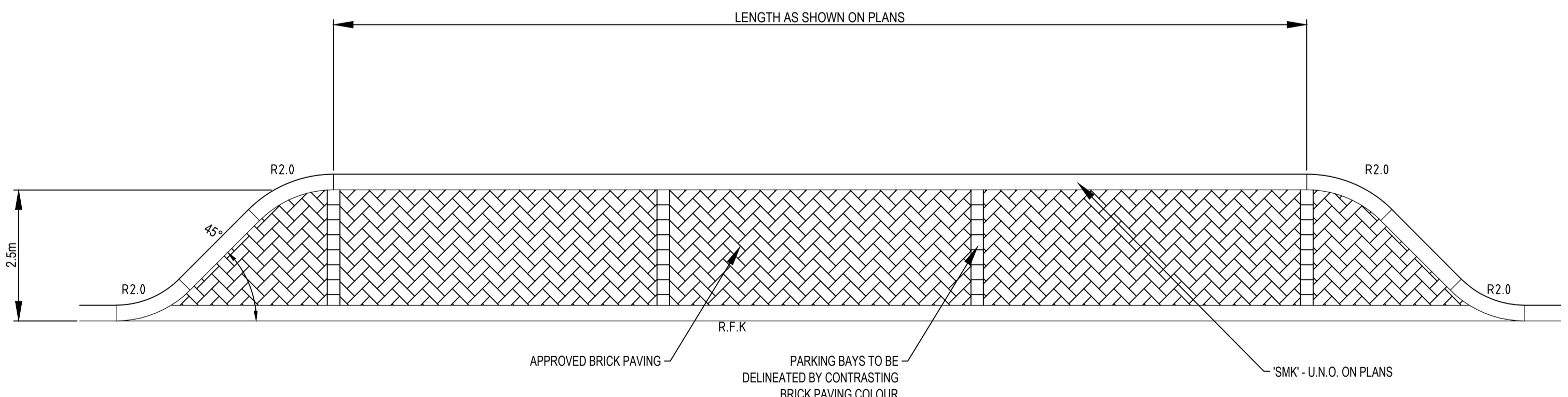
TYPICAL RIGHT ANGLED ASPHALT CARBAY LAYOUT
SCALE 1:75



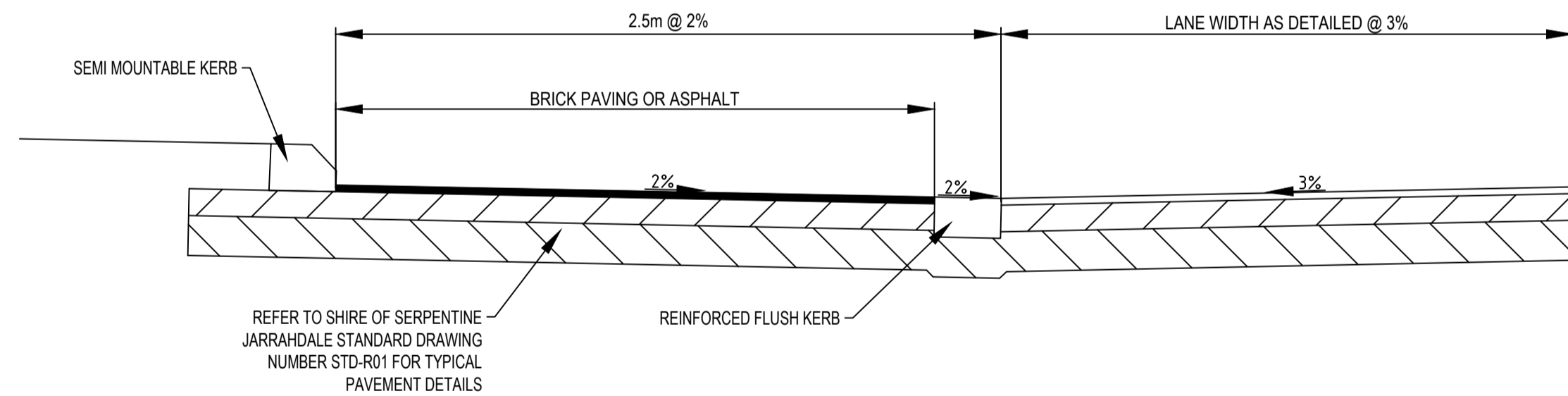
TYPICAL RIGHT ANGLED BRICK PAVED CARBAY LAYOUT
SCALE 1:75



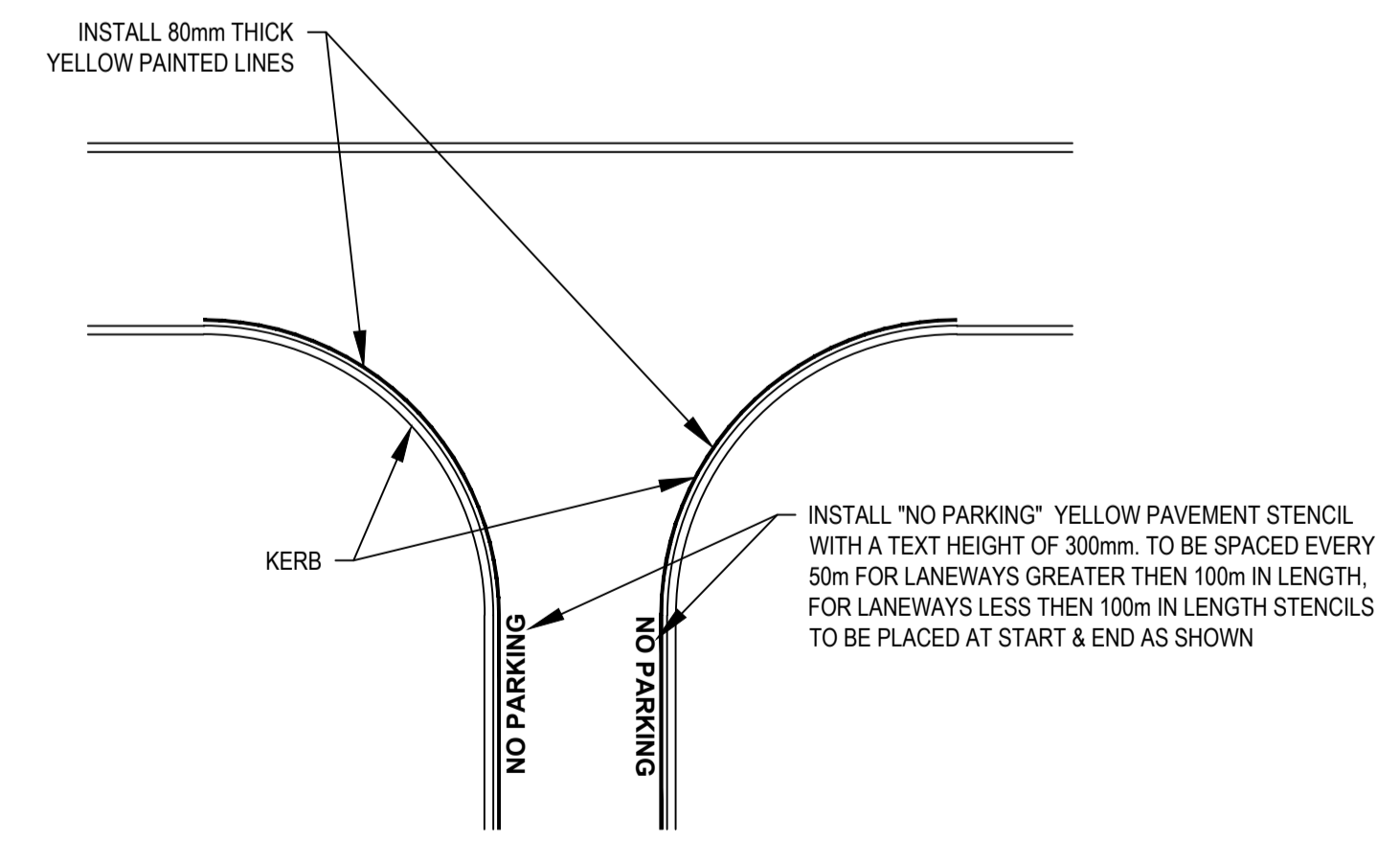
TYPICAL 45° ENTRY ANGLE ASPHALT CARBAY LAYOUT
SCALE 1:75



TYPICAL 45° ENTRY ANGLE BRICK PAVED CARBAY LAYOUT
SCALE 1:75



TYPICAL CARBAY SECTION
SCALE 1:20



TYPICAL "NO PARKING"
LINEMARKING FOR LANEWAYS
SCALE 1:25

A:\Engineering Standards\Drawings\STD-R09 - TYPICAL CARBAYS.dwg

Amendments		Scale	Date		By	Approved
		AS SHOWN				
		N/A				
No	Date	Issued For	By	NS		
A	30/11/23	ISSUED FOR REVIEW	BV	NS		

Shire of Serpentine Jarrahdale
Infrastructure and Design

THIS DRAWING REMAINS THE PROPERTY OF THE SHIRE OF SERPENTINE JARRAHDALE AND SHALL NOT BE RETAINED, COPIED, OR USED, WITHOUT WRITTEN APPROVAL FROM THE DIRECTOR ENGINEERING SERVICES

Drawn: BC	Date: 30/11/23	Signet:
Designed: BV	Date: 30/11/23	Signet:
Checked: VB	Date: 30/11/23	Signet:

Manager Engineering Services

SHIRE OF SERPENTINE JARRAHDALE
STANDARD DRAWINGS

ROAD - TYPICAL CARBAYS & LANEWAYS LINEMARKING

Sheet No:	1 OF 1
Revision No:	A
DWG No:	STD-R09