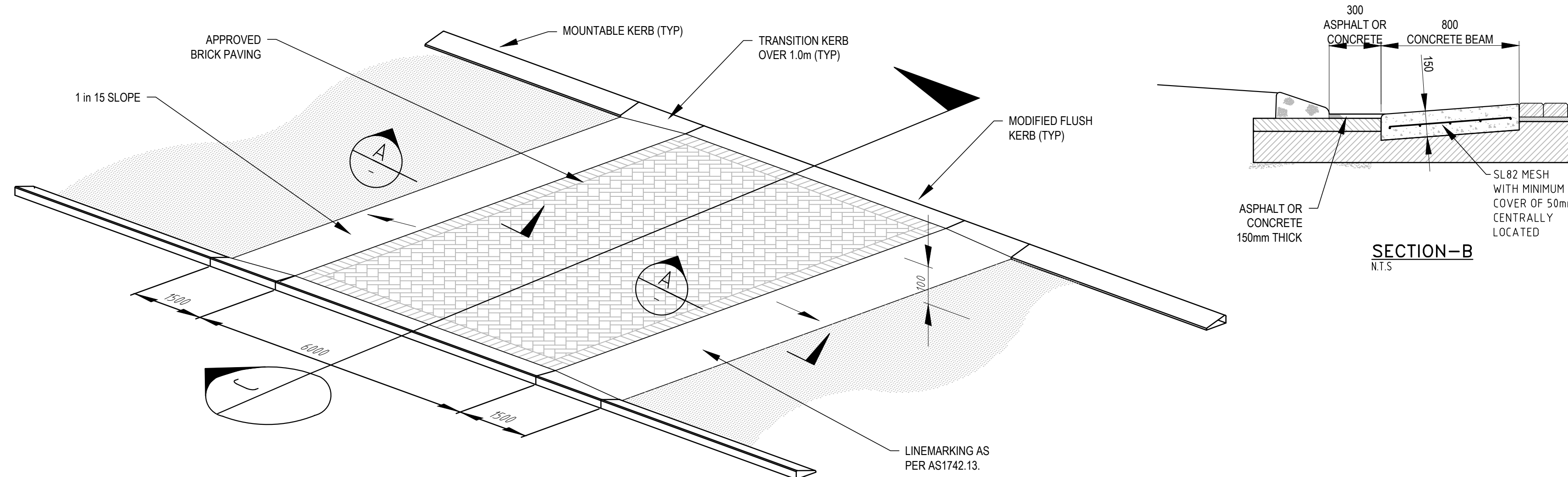
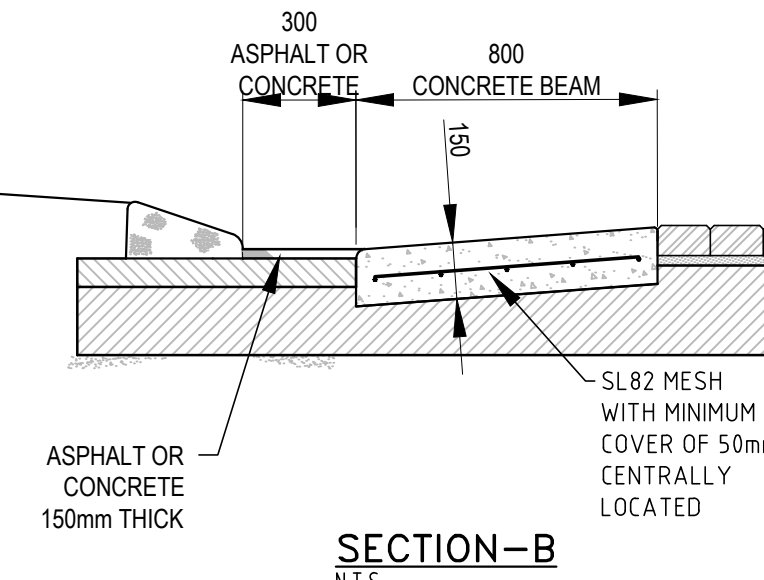


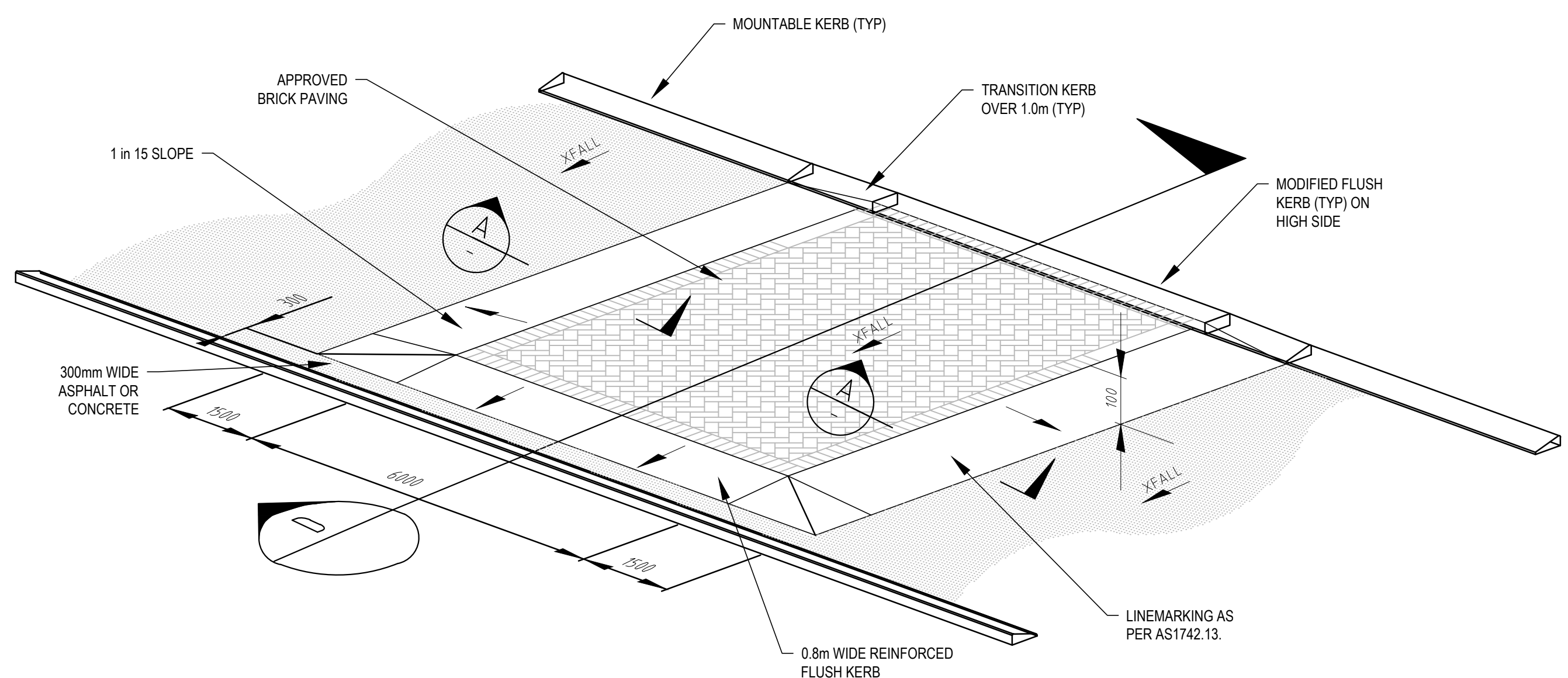
FLAT TOP SPEED PLATEAU – TYPE 1
N.T.S.



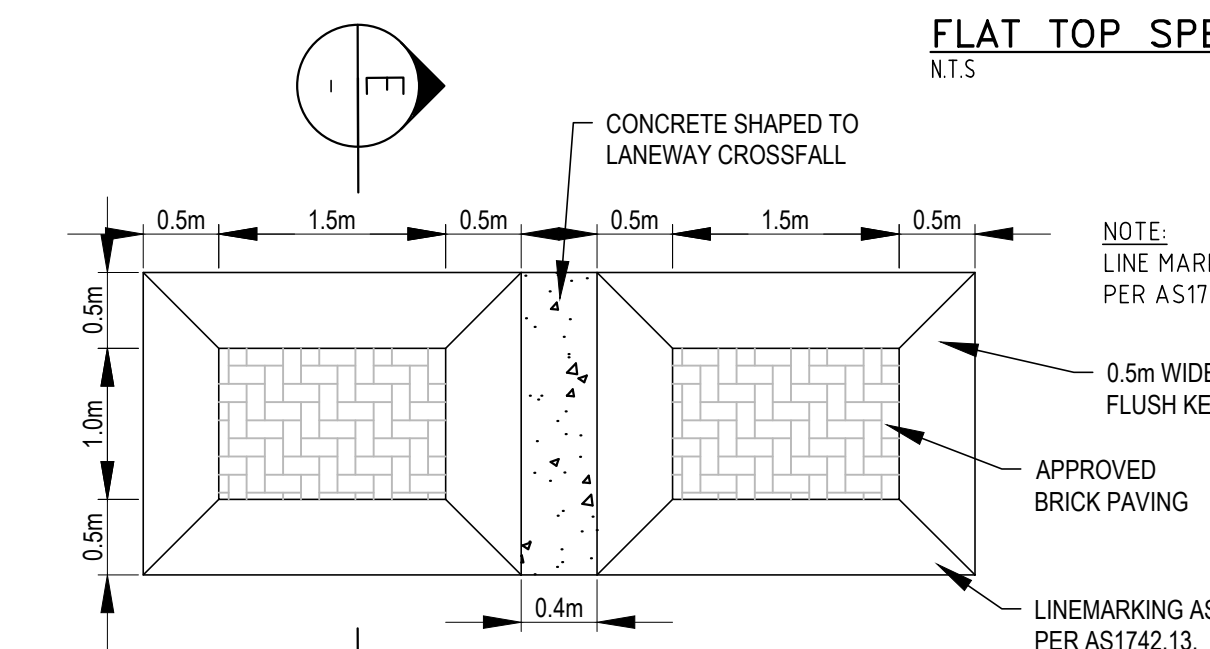
FLAT TOP SPEED PLATEAU – TYPE 2
N.T.S.



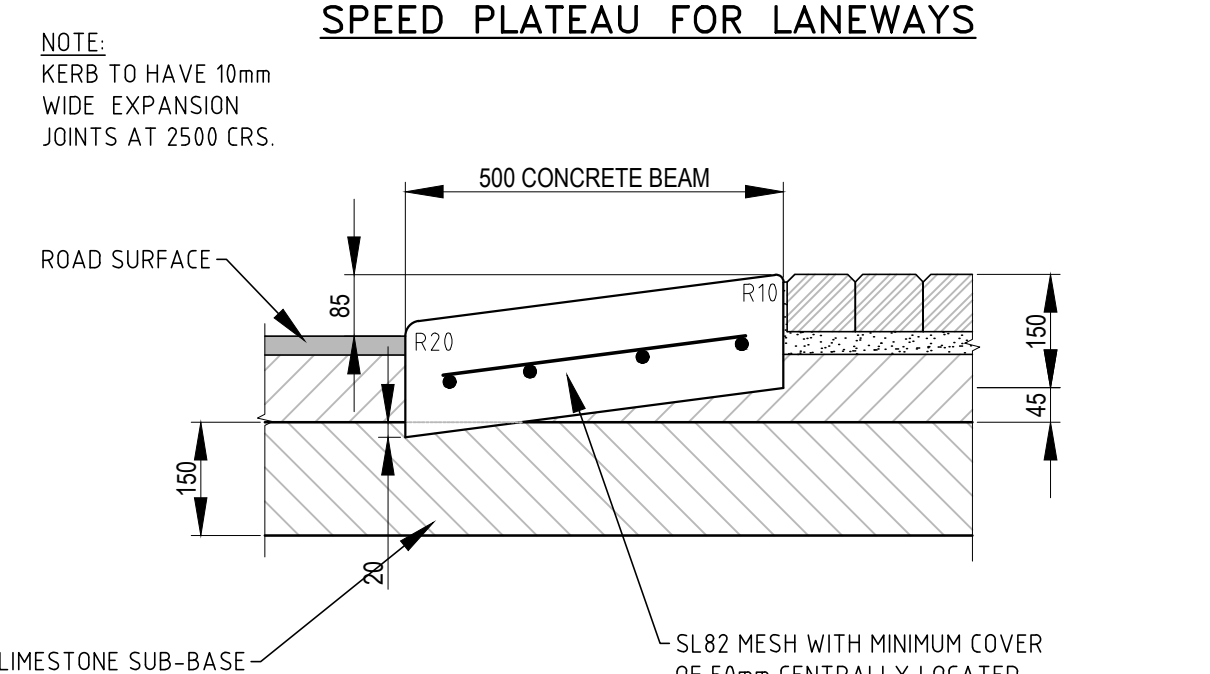
SECTION-B
N.T.S.



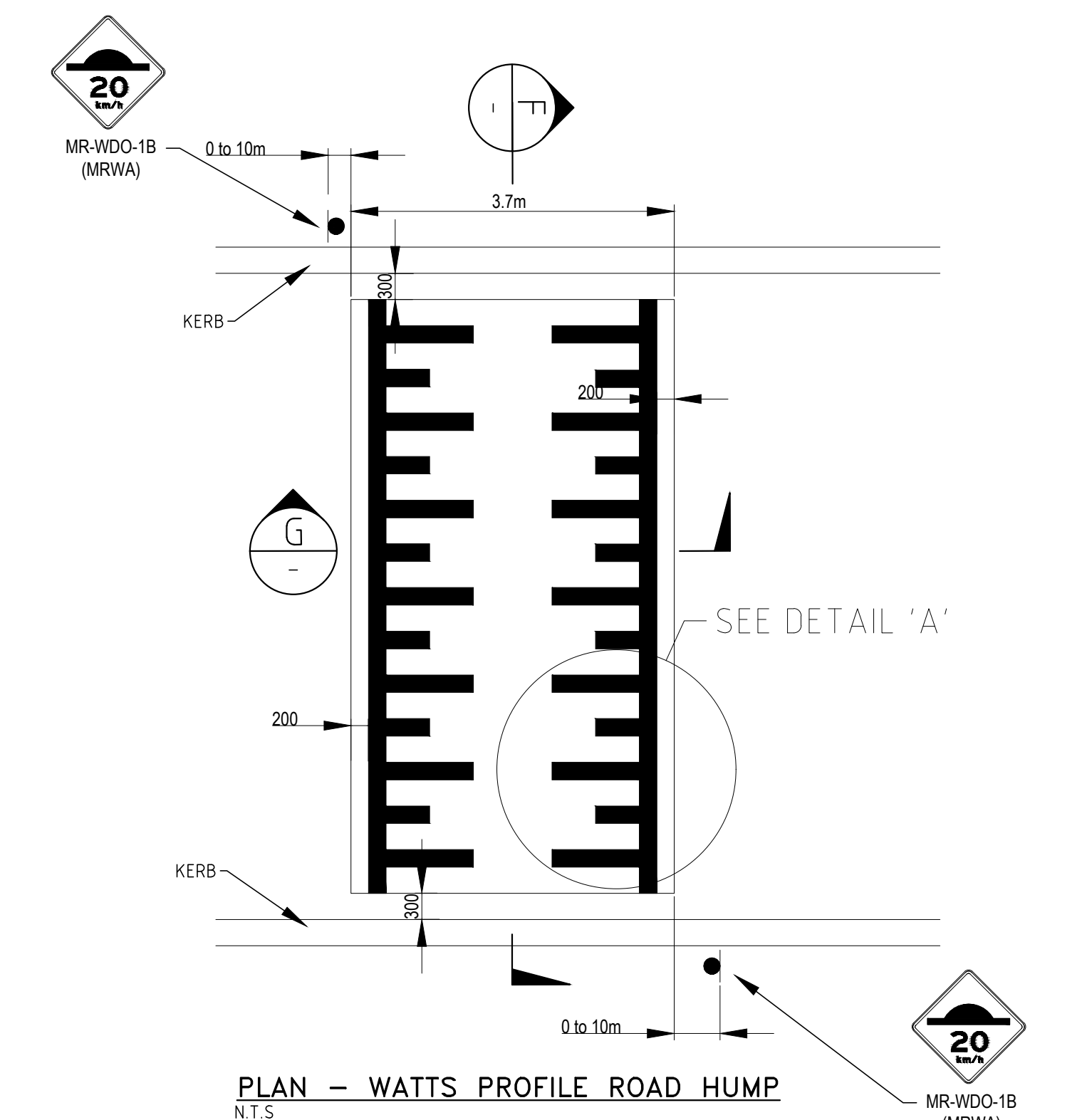
FLAT TOP SPEED PLATEAU – TYPE 3
N.T.S.



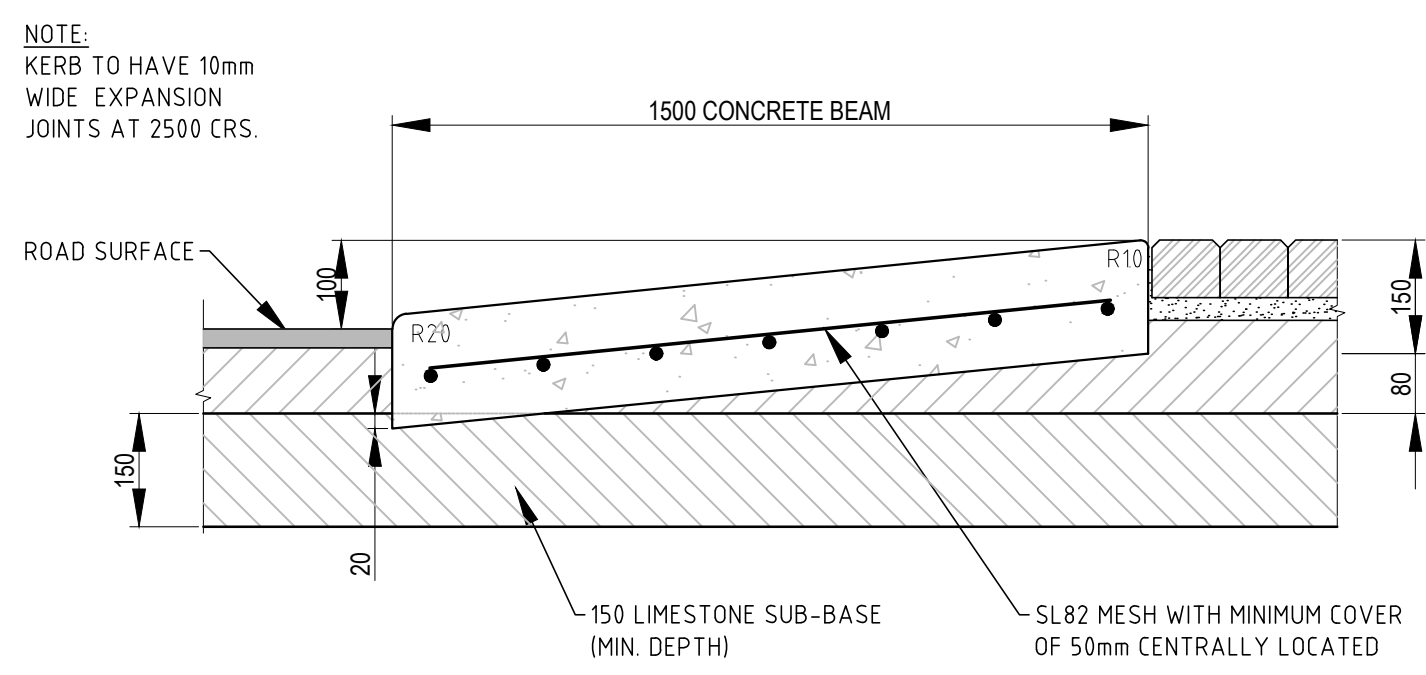
SPEED PLATEAU FOR LANEWAYS
N.T.S.



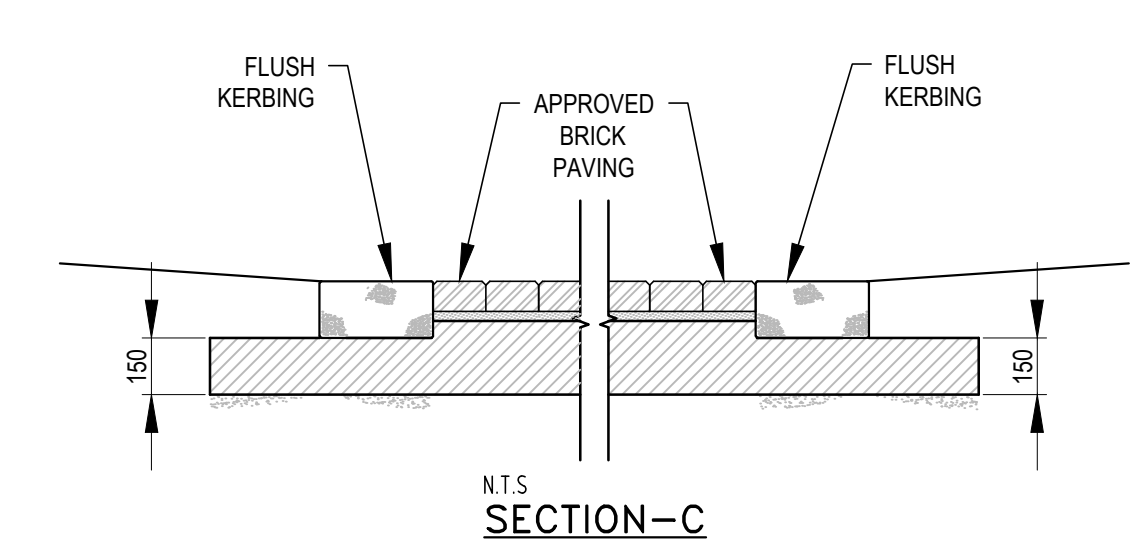
DETAIL B – REINFORCED FLUSH KERB/EDGE BEAM
N.T.S.



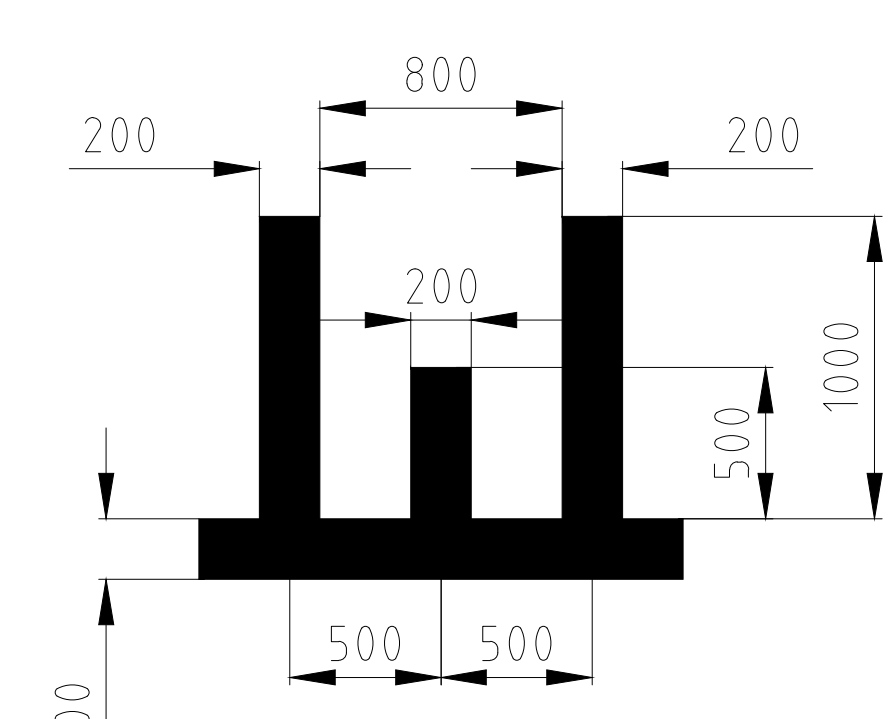
PLAN – WATTS PROFILE ROAD HUMPS
N.T.S.



SECTION-A – REINFORCED FLUSH KERB/EDGE BEAM
N.T.S.



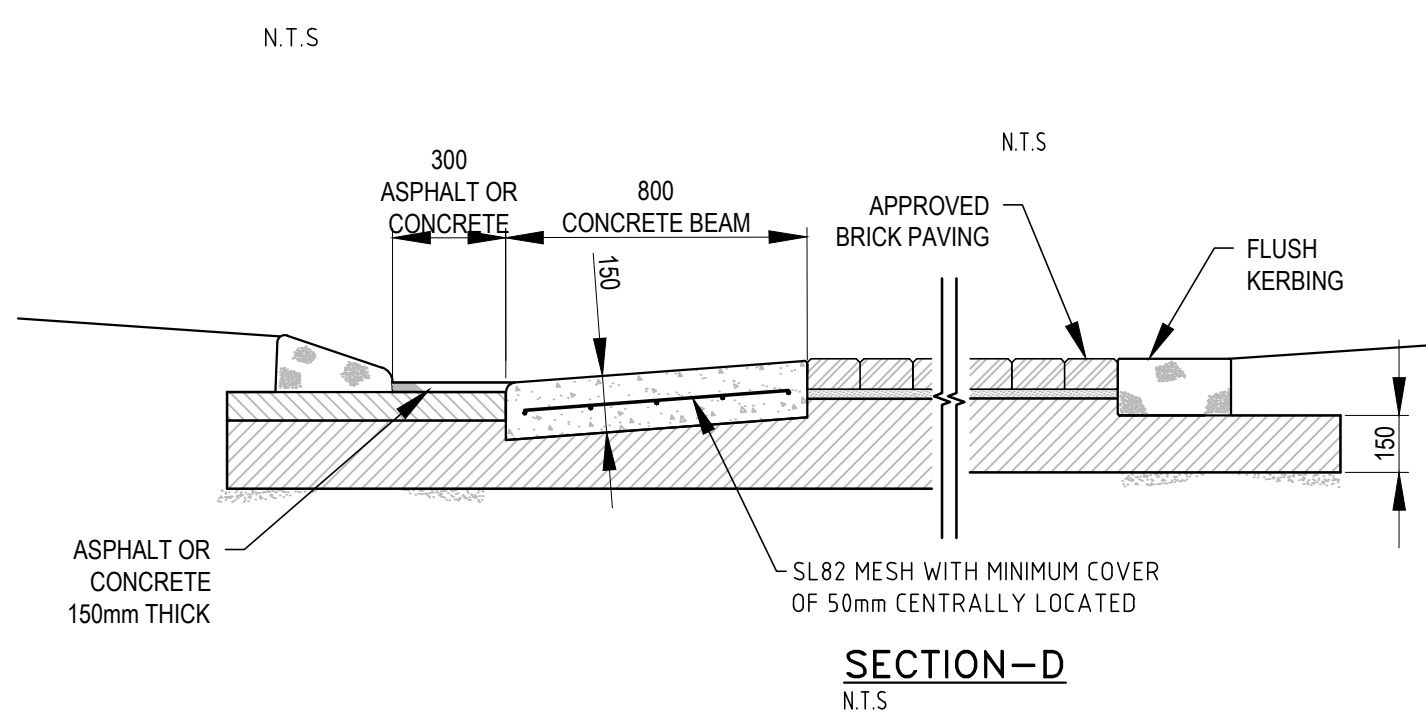
SECTION-C
N.T.S.



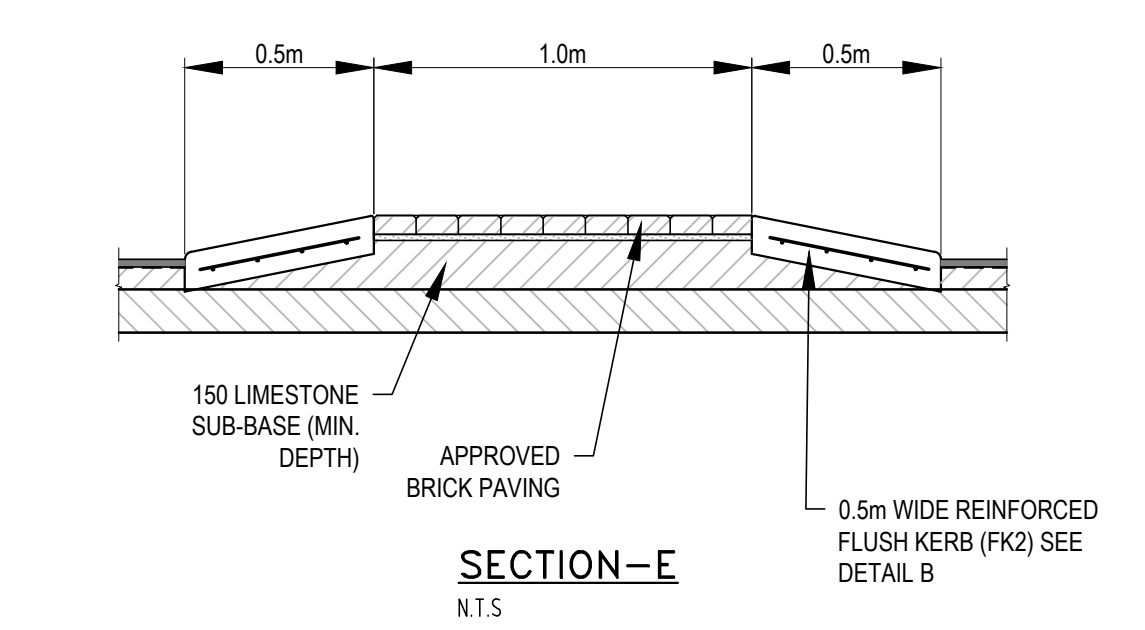
DETAIL A – PIANO MARKING
N.T.S.

DISTANCE FROM CENTRE LINE L (m)	0	0.1	0.2	0.3	0.4	0.5	0.6	0.7	0.8	0.9	1.0	1.1	1.2	1.3	1.4	1.5	1.6	1.7	1.8	1.85
HEIGHT h (mm)	100	100	99	97	95	93	90	86	81	76	71	65	58	51	43	34	25	16	5	0

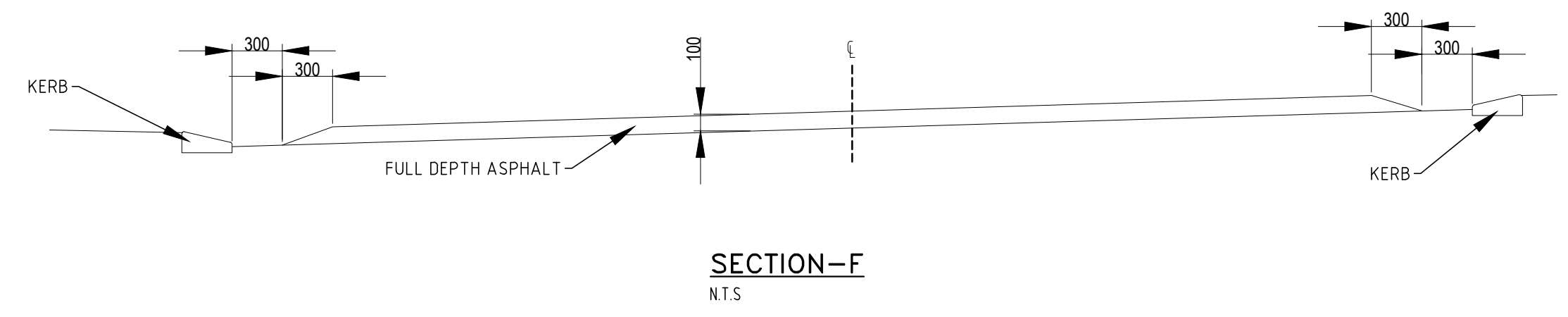
SECTION-G – WATTS PROFILE HUMPS
N.T.S.



SECTION-D
N.T.S.



SECTION-E
N.T.S.



SECTION-F
N.T.S.

No	Date	Revision
A	30/11/23	ISSUED FOR REVIEW

Scale:	AS SHOWN
Date:	N/A
By:	BV
Approved:	NS

Shire of Serpentine Jarrardale
Infrastructure and Design

Drawn:	BC	Date:	30/11/23
Designed:	BV	Date:	30/11/23
Checked:	VB	Date:	30/11/23

SHIRE OF SERPENTINE JARRARDALE
STANDARD DRAWINGS
ROAD - SPEED PLATEAUS DETAILS

Sheet No: 1 OF 1
Revision No: A
DWG No: **STD-R08**