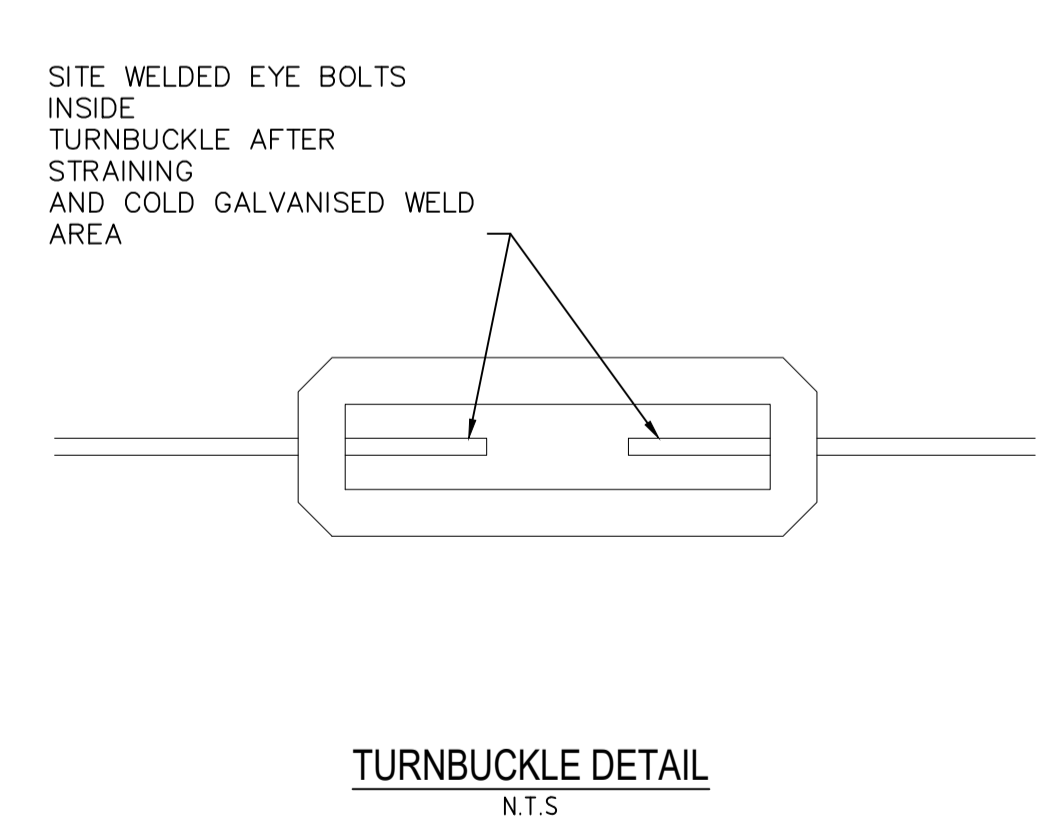
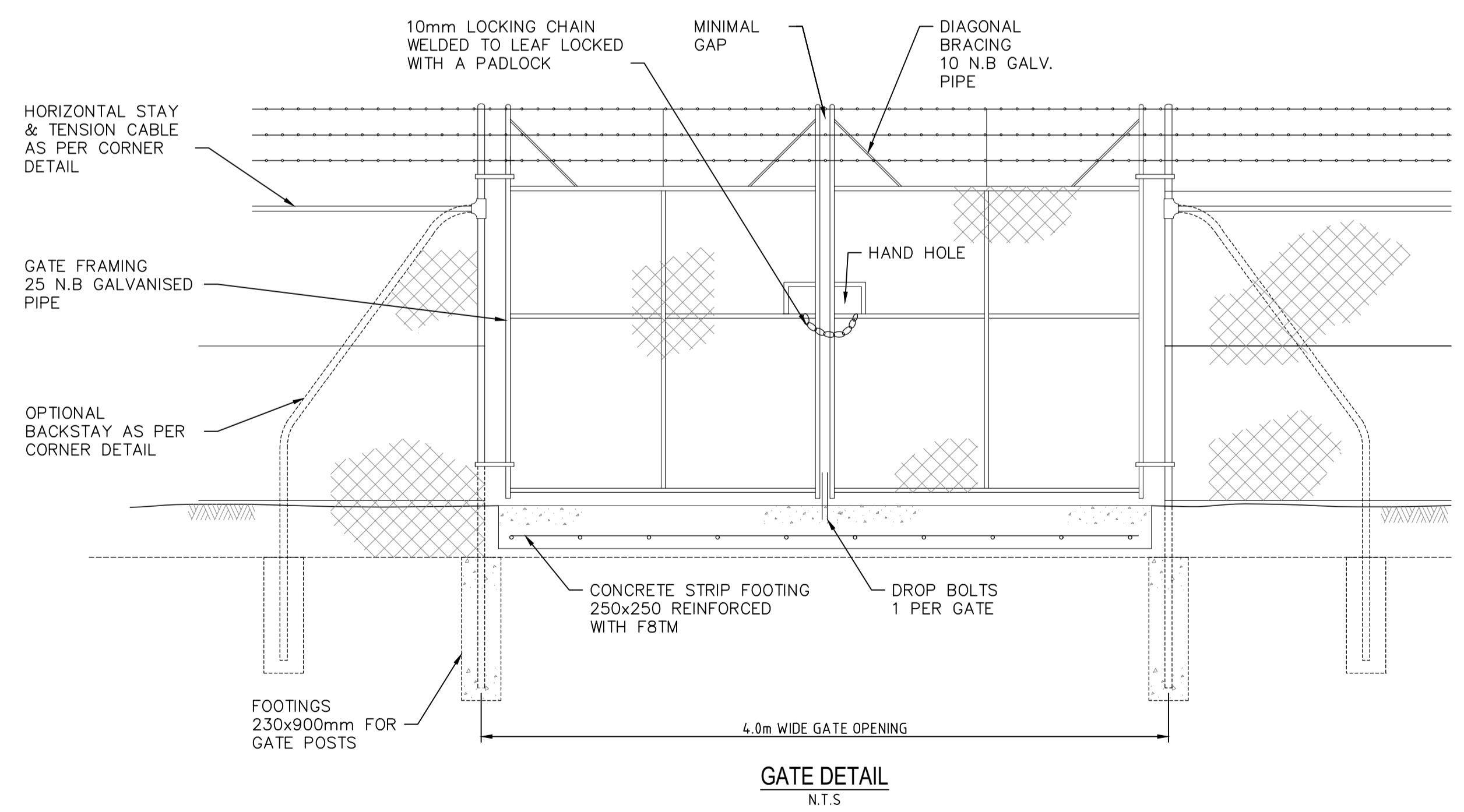


CORNER DETAIL
N.T.S

SECTION - F
N.T.S



TURNBUCKLE DETAIL
N.T.S



GATE DETAIL
N.T.S

Engineering Standard Details\DWG\STD-D09 - DRAINAGE SUMP FENCING.dwg

| | | | | |
|-------------------|----------|-------|----------|----------|
| Amendments | | Scale | AS SHOWN | |
| | | Date | N/A | |
| No | Date | By | NS | Approved |
| A | 30/11/23 | BV | NS | |
| ISSUED FOR REVIEW | | | | |

Shire of Serpentine Jarrahdale
Infrastructure and Design

THIS DRAWING REMAINS THE PROPERTY OF THE SHIRE OF SERPENTINE JARRAHDALE AND SHALL NOT BE RETAINED, COPIED, OR USED, WITHOUT WRITTEN APPROVAL FROM THE DIRECTOR ENGINEERING SERVICES

| | | |
|--------------|----------------|---------|
| Drawn: BC | Date: 30/11/23 | Signet: |
| Designed: BV | Date: 30/11/23 | Signet: |
| Checked: VB | Date: 30/11/23 | Signet: |

Manager Engineering Services.

SHIRE OF SERPENTINE JARRAHDALE
STANDARD DRAWINGS

DRAINAGE - DRAINAGE SUMP FENCING

| | |
|--------------|---------|
| Sheet No: | 1 OF 1 |
| Revision No: | A |
| DWG No: | STD-D09 |