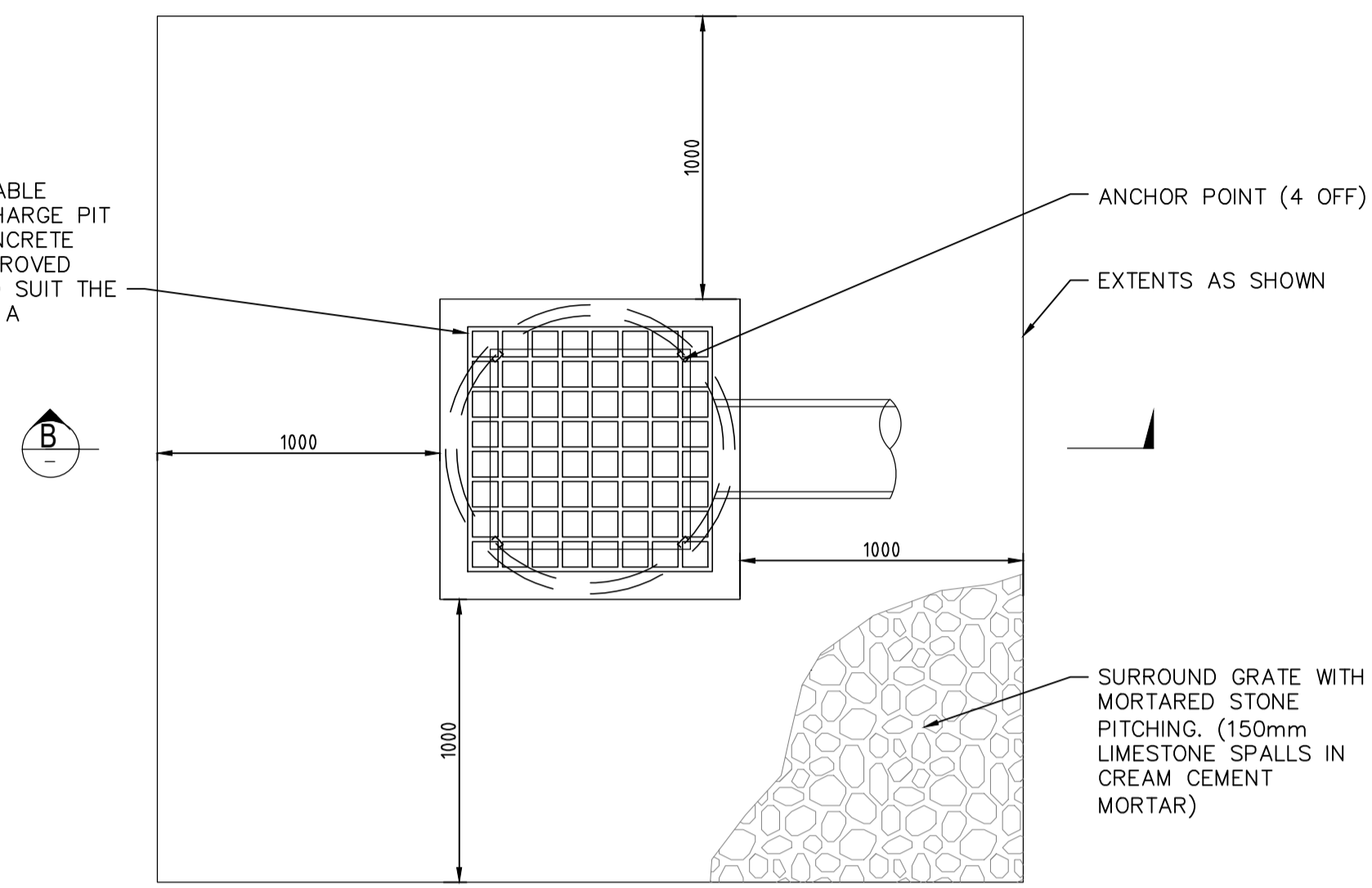


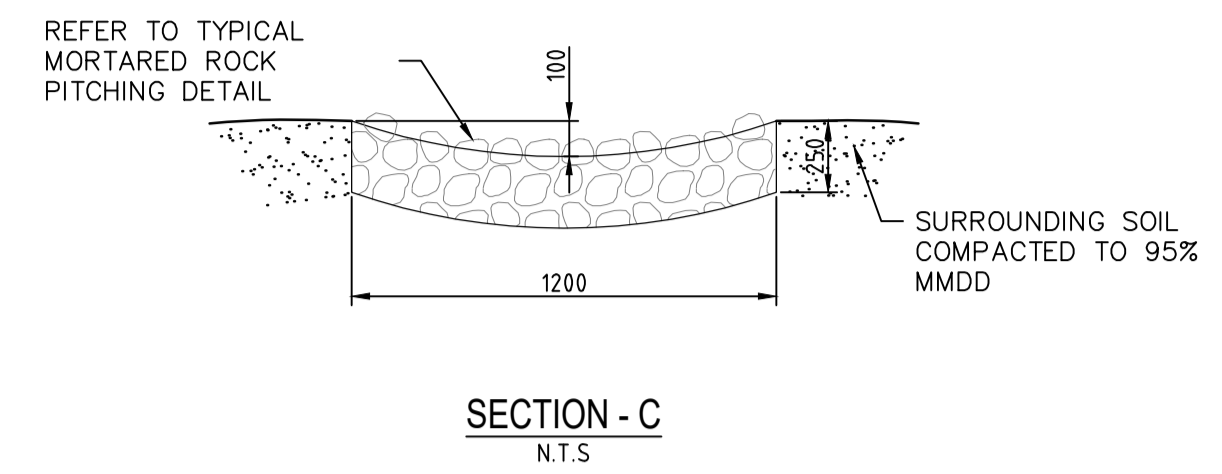
BUBBLE-IN PLAN
N.T.S.

EXTENTS AS SHOWN

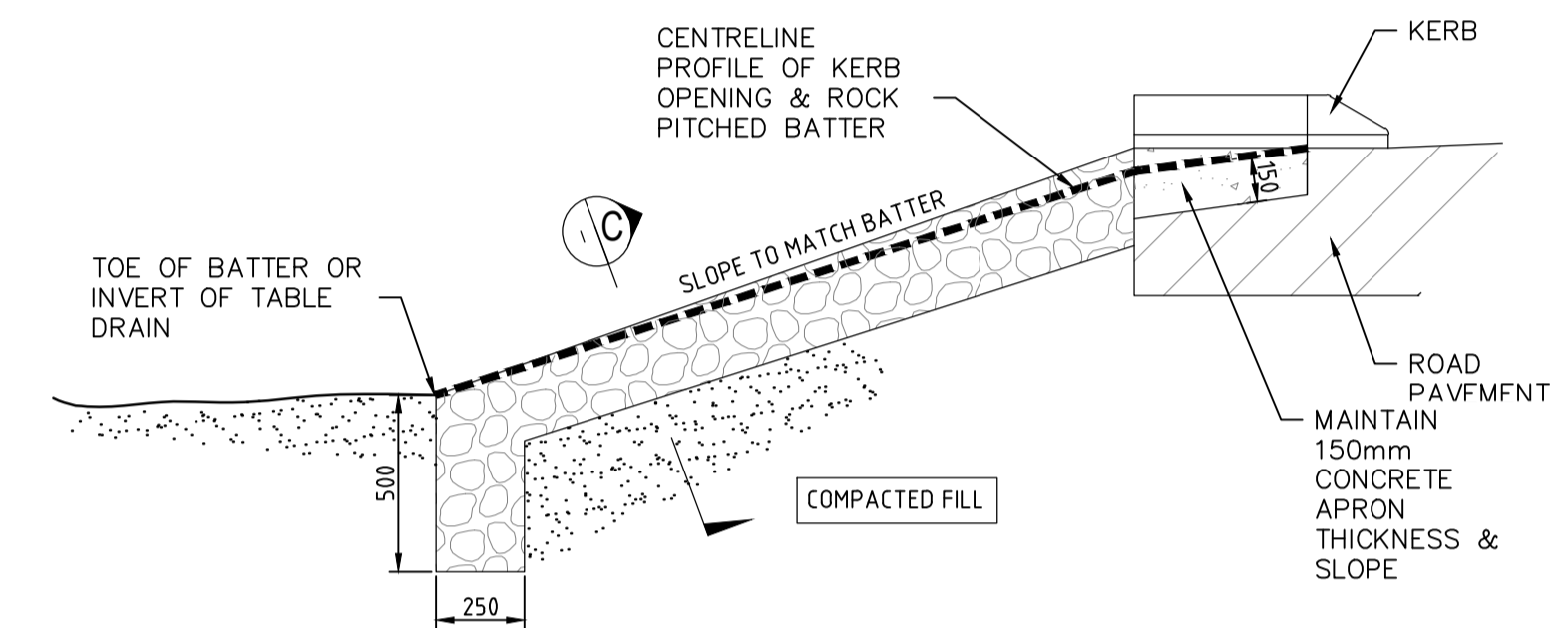
HINGED AND LOCKABLE GALVANISED SURCHARGE PIT GRATE WITH A CONCRETE COVER OF AN APPROVED MANUFACTURER TO SUIT THE LINER, LOCKED BY A THREADED BOLT



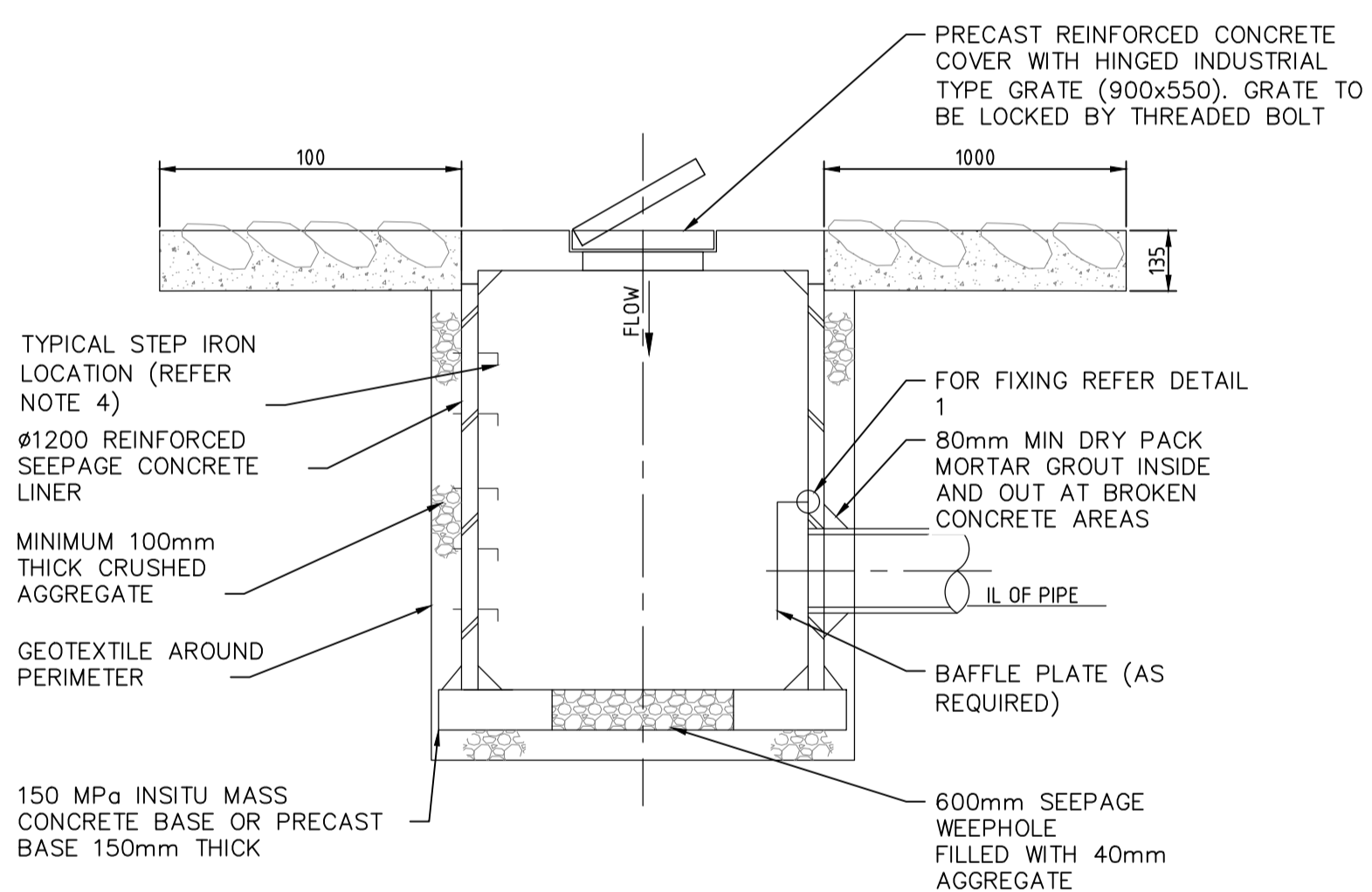
BUBBLE-UP PLAN
N.T.S.



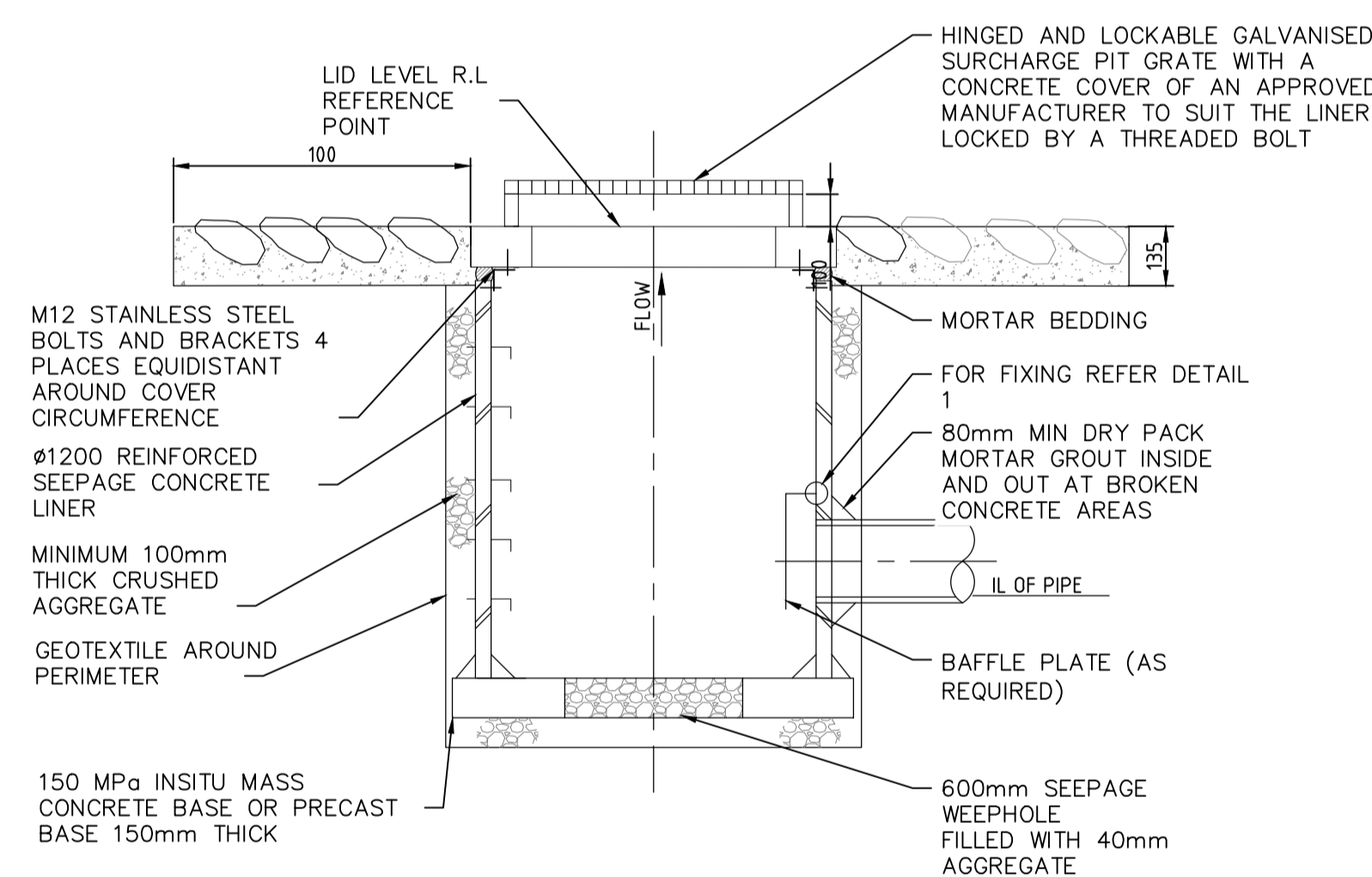
SECTION - C
N.T.S.



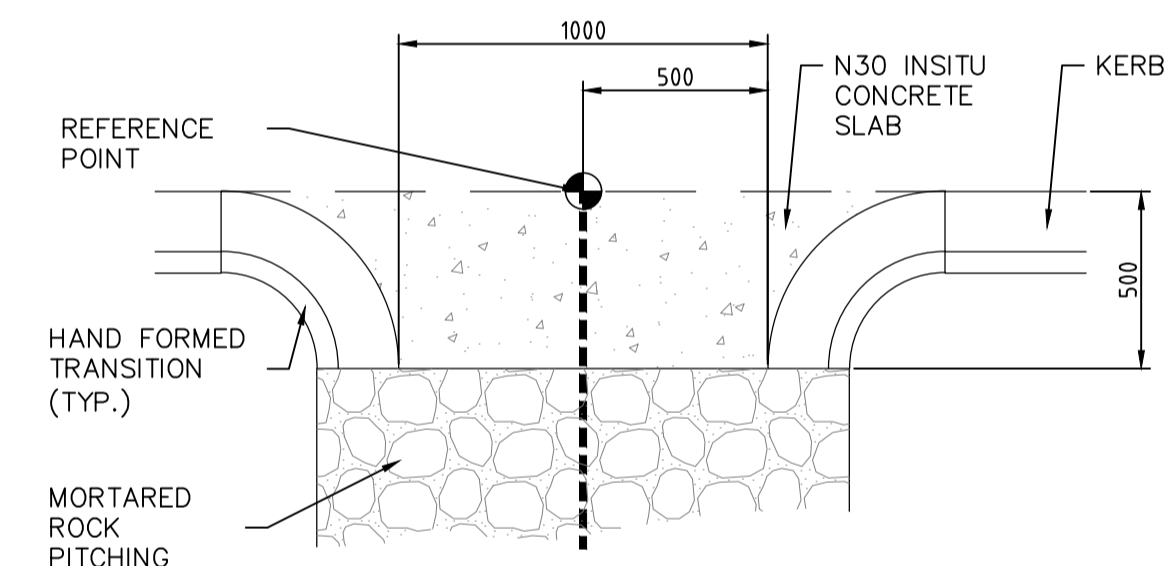
PROFILE ROCK PITCHING AT KERB OPENINGS AND ENDS
N.T.S.



SECTION - A
N.T.S.



SECTION - B
N.T.S.



KERB OPENING PLAN
N.T.S.

DRAINAGE NOTES:

1. CONCRETE TO BE 20mm NOM AGGREGATE AND HAVE A MINIMUM COMPRESSIVE STRENGTH AT 28 DAYS OF 20MPa FOR INSITU BASE AND 40MPa FOR PRECAST UNITS.
2. ALL COMPONENTS SHALL BE DESIGNED TO ACCEPT LOADINGS IN ACCORDANCE WITH AS3725 AND MANUFACTURER'S GUIDELINES.
3. IN HIGH GROUNDWATER AREAS THE BASE AND PIT MUST BE SEALED AND BENCHED.
4. STEP IRONS TO BE INSTALLED IN PITS WHERE THE DEPTH FROM COVER TO TOP OF BASE EXCEEDS 1200mm.
5. PIPE JOINTS WITHIN 1.0m OF PIT TO BE SEALED.
6. SUBGRADE TO BASE TO BE COMPACTED TO 95% M.M.D.D PRIOR TO PLACING OF BASE.
7. BACKFILL SURROUNDING PIT TO BE TO 95% M.M.D.D.
8. ALL PITS TO HAVE A WEEP HOLE IN ACCORDANCE WITH TABLE B, UNLESS IN HIGH GROUND WATER AREAS, SEE NOTE 3.
9. A MAXIMUM OF THREE PIPE OPENINGS ARE ALLOWED IN ANY ONE JUNCTION PIT. A MINIMUM WALL WIDTH OF 250mm IS ALLOWED BETWEEN HOLES CUT FOR PIPE OPENINGS.
10. ALL PITS TO BE TRAPPED WITH MINIMUM 300mm DEPTH BELOW PIPE INVERT.
11. PIPES TO BE FINISHED FLUSH WITH INSIDE OF LINER AND MADE GOOD WITH MORTAR.

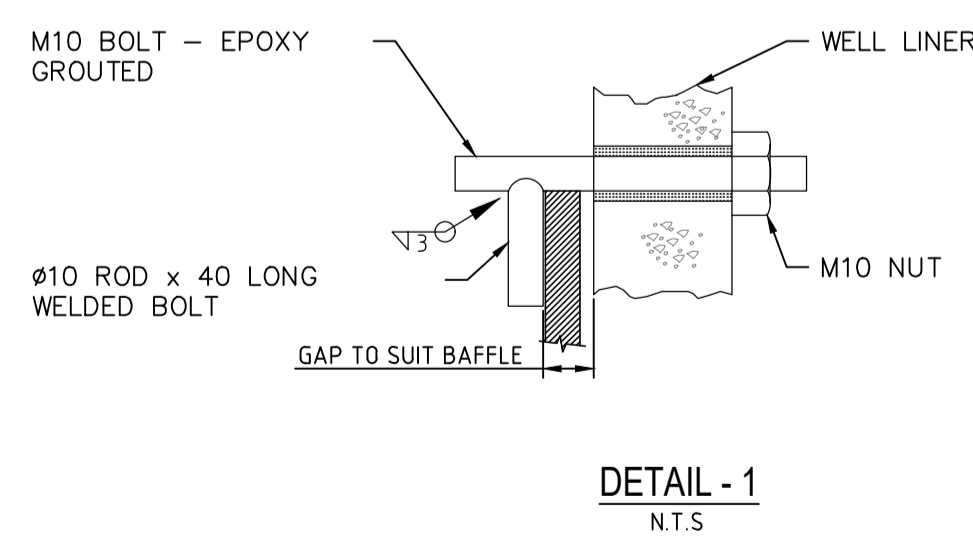
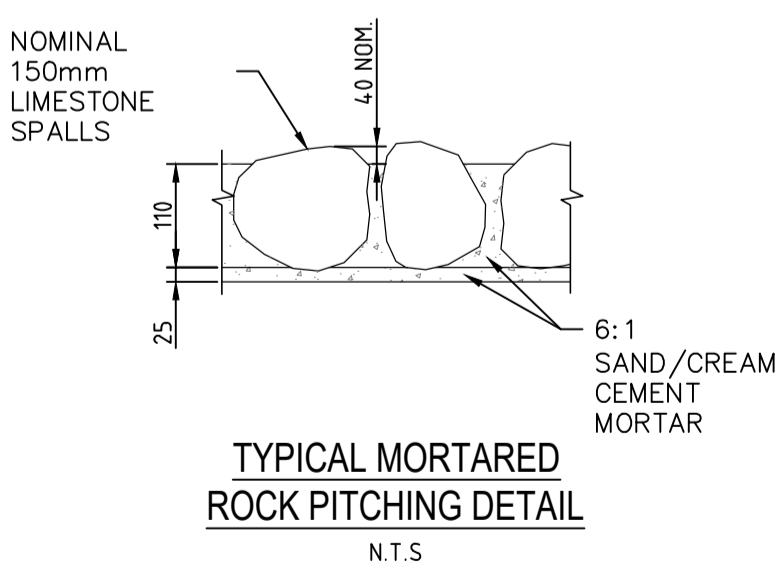


TABLE A DRAINAGE PIT LINER SIZE		
NOM. LINER SIZE (mm)	PIPE SIZE MAX. (mm)	LINER TYPE
φ1050	φ450	CONCRETE
φ1200	φ600	CONCRETE
φ1500	φ750	CONCRETE
φ1800	φ900	CONCRETE

FOR PIPES φ1200 AND LARGER INSTALL A CUSTOM CHAMBER TO SUIT.

TABLE B DRAINAGE PIT SIZE SOAKHOLE HOLE SIZE	
LINER SIZE MIN. (mm)	SOAKHOLE DIAMETER (mm)
φ1050	600
φ1200	600
φ1500	900
φ1800	1200

Scale:	AS SHOWN
Date:	N/A
Revision:	By: NS Approved: BV



THIS DRAWING REMAINS THE PROPERTY OF THE SHIRE OF SERPENTINE JARRAHDAL AND SHALL NOT BE RETAINED, COPIED, OR USED, WITHOUT WRITTEN APPROVAL FROM THE DIRECTOR ENGINEERING SERVICES

Drawn:	BC	Date:	30/11/23	Signed:	
Designed:	BV	Date:	30/11/23	Signed:	
Checked:	VB	Date:	30/11/23	Signed:	

SHIRE OF SERPENTINE JARRAHDAL
STANDARD DRAWINGS

DRAINAGE - BUBBLE UP AND ROCK PITCHING

Sheet No:	1 OF 1
Revision No:	A
DWG No:	STD-D06